



BigBattery
Own Your Power

APEX-6.5K HYBRID INVERTER USER MANUAL



Version 1.1

© 2025 BIGBATTERY, LLC. ALL RIGHTS RESERVED
VERSION 1.1 | INFORMATION SUBJECT TO CHANGE WITHOUT NOTICE
MODEL SKU: INV034



SCAN THE QR CODE FOR
THE LATEST VERSION

Table of Content

| | |
|--|-----------|
| 1. Definition of Terms..... | 1 |
| 2. Safety Instructions..... | 2 |
| 2.1 About this Manual..... | 2 |
| 2.2 Symbols and description..... | 2 |
| 2.3 Safety matters..... | 2 |
| 3. About the Product..... | 3 |
| 3.1 Description..... | 3 |
| 3.2 Features..... | 3 |
| 3.3 Technical specifications..... | 4 |
| 3.4 System connection diagram..... | 5 |
| 3.5 Product overview..... | 6 |
| 3.6 Dimension..... | 8 |
| 4. Installation..... | 8 |
| 4.1 Installation location..... | 9 |
| 4.2 Packing list..... | 10 |
| 4.3 Inverter installation..... | 12 |
| 4.4 Removal of terminal cover and insect-proof net..... | 12 |
| 5. Wiring..... | 13 |
| 5.1 Wiring mode (depends on the output mode)..... | 13 |
| 5.2 Cable and circuit breaker model..... | 15 |
| 5.3 GRID、LOAD and Gen wiring..... | 17 |
| 5.4 Battery wiring..... | 18 |
| 5.6 Dry contact wiring..... | 19 |
| 5.7 Grounding..... | 20 |
| 5.8 Inverter start..... | 20 |
| 5.9 Parallel wiring..... | 20 |
| 5.9.1 Parallel operation..... | 20 |
| 5.9.2 Cautions for parallel connection..... | 21 |
| 5.9.3 Wiring diagram for single-phase parallel connection (phase difference between L1 and L2: 0°)..... | 21 |
| 5.9.4 Wiring diagram for two-phase parallel connection (phase difference between L1 and L2: 0°)..... | 25 |
| 5.9.5 Wiring diagram for split-phase parallel connection (phase difference between L1 and L2: 180°)..... | 31 |
| 5.9.6 Wiring diagram for three-phase parallel connection..... | 33 |
| 6. Operation..... | 38 |
| 6.1 Operation and display panel..... | 38 |
| 6.2 Setting..... | 43 |
| 6.3 Timed charge/discharge function..... | 50 |
| 6.4 Battery parameters..... | 50 |
| 7. Communication..... | 52 |
| 7.1 USB-B port..... | 53 |

| | |
|--|-----------|
| 7.2 WIFI port..... | 53 |
| 7.3 RS485/CAN port..... | 53 |
| 7.4 CT port (option)..... | 54 |
| 7.5 Dry contact port..... | 54 |
| 8. Fault Codes and Response Measures..... | 54 |
| 8.1 Fault codes..... | 55 |
| 8.2 Troubleshooting..... | 58 |
| 9. Protection Function and Product Maintenance..... | 58 |
| 9.1 Protection function..... | 59 |
| 9.2 Maintenance..... | 59 |
| NOTES:..... | 60 |
| SCAN FOR THE LATEST VERSION OF THE USER MANUAL..... | 63 |

1. Definition of Terms




- AC – Alternating Current
- A – Amp(s)
- Ah – Amp hour(s)
- AFCI – Arc-Fault Circuit Interrupter
- Apparent Power (VA) – Total power in an AC circuit
- AWG – American Wire Gauge
- Bypass Mode – Grid directly supplies the load
- Capacity – Measure of stored energy (Ah or kWh)
- C-Rating – Battery charge/discharge rate
- Control Box – Master BMS or control enclosure
- Cycle Life – Number of charge-discharge cycles
- DC – Direct Current
- Derating – Output reduction due to temperature or load
- DOD – Depth of Discharge
- DSP – Digital Signal Processor
- Efficiency – Ratio of output to input power
- ESS – Energy Storage System
- Frequency (Hz) – Number of AC cycles per second
- Ground Fault – Unintended current to ground
- Hybrid Inverter – Combines PV, grid, and battery sources
- Idle Power – Power used with no load connected
- kW – Kilowatt (1,000 W)
- kWh – Kilowatt-hour (energy unit)
- LFP – Lithium Iron Phosphate (LiFePO₄)
- Load – Device consuming inverter power
- mm – Millimeter(s)
- mV – Millivolt(s)
- MPPT – Maximum Power Point Tracking
- Nominal Voltage – Standard rated operating voltage
- N-PE Bond – Neutral to Protective Earth connection
- Off-Grid Mode – Operates without grid power
- Overcharge – Charging beyond voltage limits
- Overload – Load exceeds inverter capacity
- Over-Temperature – Excess internal temperature
- Over/Under-Voltage – Abnormal voltage condition
- Parallel Operation – Multiple inverters connected together
- Peak Power – Short-term maximum output
- PF – Power Factor (kW/kVA)
- PPE – Personal Protective Equipment
- PV – Photovoltaic (solar power)
- PWM – Pulse Width Modulation control
- Reactive Power (kVAR) – Power for magnetic fields
- Rated Power – Continuous maximum output
- RS485/CAN/USB – Communication interfaces
- Self-Discharge – Battery energy loss over time
- Short-Circuit – Direct connection causing high current
- SOC – State of Charge (%)
- SOH – State of Health (%)
- Split-Phase – Two 120 V lines 180° apart (240 V L-L)
- Standby Mode – Low-power waiting state
- Surge Power – Instant high-power demand capacity
- Synchronization – Matching voltage and phase
- THD – Total Harmonic Distortion
- Thermal Runaway – Dangerous overheating
- Three-Phase – 120° AC phase system
- V – Volt(s)
- VA – Volt-Ampere (apparent power)
- W – Watt(s)

2. Safety Instructions

2.1 About this Manual

- This Manual contains important information, guiding principles, operation, and maintenance of the product, and applies to the model: APEX 6.5K Off-Grid Inverter.
- Users must follow the instructions in this Manual during installation, use and maintenance

2.2 Symbols and description

| Symbol | Description |
|--|---|
|  | Dangerous situations that will lead to death or serious injury when ignored |
|  | Dangerous situations that may lead to mild or moderate injury when ignored |
|  | Operation tips |

2.3 Safety matters

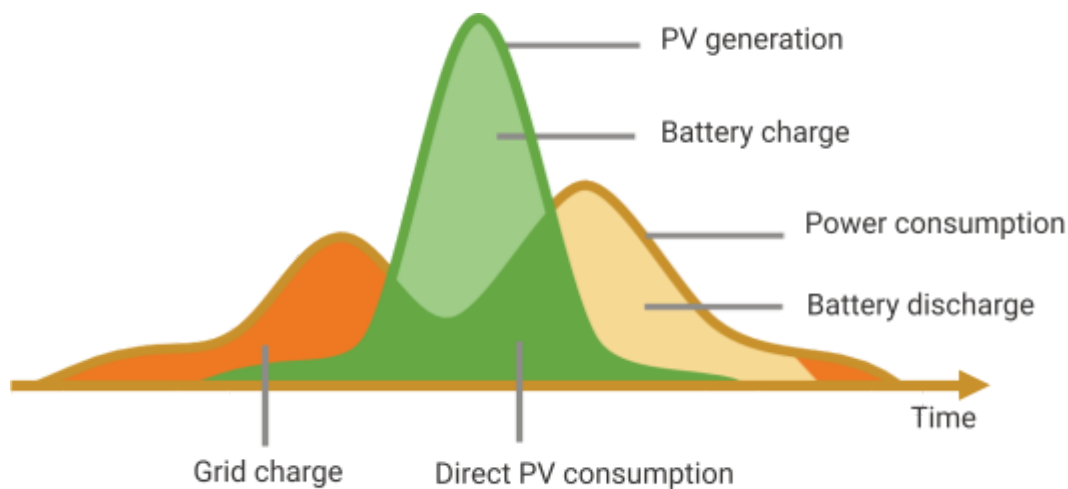


- This chapter contains important safety matters. Please read and keep this Manual for future reference.
- Please make sure to comply with local requirements and regulations when installing the inverter.
- Be careful of high voltage. Before and during installation, please turn off the switch of each power supply to avoid electric shock.
- In order to achieve optimal operation of the inverter, please select the appropriate cable size and necessary protective devices according to regulations.
- Do not connect or disconnect any connections when the inverter is working.
- Do not open the terminal cover when the inverter is working.
- Keep the inverter well-grounded.
- Avoid short circuits in AC output and DC input.
- Do not disassemble the inverter. Send the inverter to a professional service center for repair and maintenance.
- Do not charge frozen batteries.

3. About the Product

3.1 Description

The APEX series is a new type of solar storage inverter that integrates PV storage, Grid charge, and energy storage and outputs sinusoidal AC. Equipped with DSP control and advanced control algorithm, it has high response speed and good reliability, and applies to industrial scenarios.



3.2 Features

- Support the connection of various types of energy storage batteries such as lead-acid battery and lithium-ion battery
- Have the dual activation function during lithium-ion battery sleep, that is, access to Grid/PV power can activate the lithium-ion battery
- Support split-phase/single-phase pure sine wave output
- Support adjusting the voltage of each phase within the range of 100 VAC, 105 VAC, 110 VAC, 115VAC, 120 VAC and 127 VAC
- Support two-channel PV input and have the function of simultaneous two-channel maximum power point tracking (MPPT) for charging/carrying capacity
- Support two-channel MPPT, with an efficiency of up to 99.9% and a maximum single-channel current of 22 A, perfectly fitting high-power modules
- Provide 2 charge modes: only PV and grid + PV
- Have the timed charge and discharge function, that is, users can set the charge and discharge time according to the time-of-use price to save electricity costs
- Have the energy-saving mode, reducing no-load energy losses

- Provide two output modes: Grid bypass output and inverter output, achieving uninterrupted power supply
- Support LCD display of dynamic flowchart, updating system data and operating status at any time
- Provide 360° protection, including short circuit protection, overcurrent protection, overvoltage and undervoltage protection, and overload protection
- Support CAN, USB, RS485 communication

3.3 Technical specifications

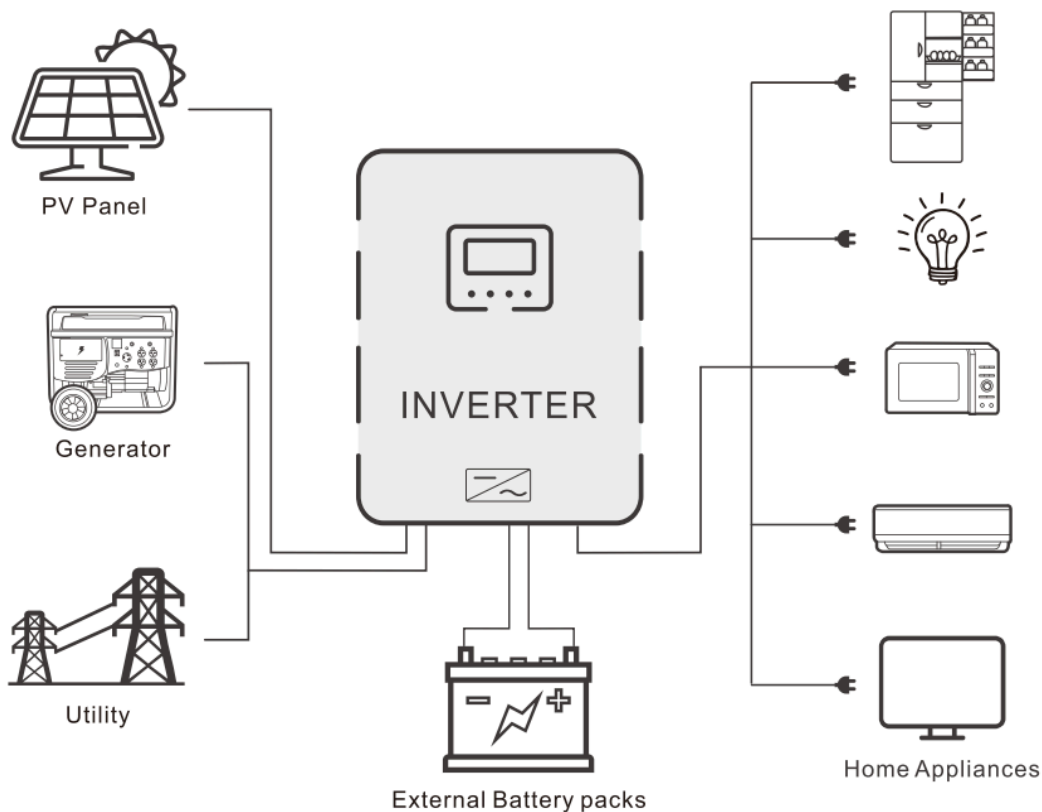
| Model | APEX-6.5kW | APEX-10kW |
|--------------------------------------|---|-----------------------------|
| Inverter output | | |
| Rated Output Power | 6,500W | 10,000W |
| Surge Capacity (Peak Power) | 13,000W | 20,000W |
| Rated Output Voltage | 120/240 Vac (single-phase/split-phase) | |
| Load capacity of Motors | 4 HP | 6 HP |
| Rated Frequency | 50/60Hz | |
| Output Wave | Pure sine wave | |
| Switching Time | 10ms(typical value) | |
| BATTERY | | |
| Battery Type | Lithium-ion battery/lead-acid battery/user-defined battery | |
| Rated Battery Voltage | 48V | |
| Voltage Range | 40~60Vdc | |
| Max. Solar Charging Current | 140A | 200A |
| Max. Grid/Generator Charging Current | 80A | 120A |
| Max. Hybrid Charge Current | 140A | 200A |
| SOLAR INPUT | | |
| No. Of MPPT | 1+1 | |
| Max. Input Power | 5,000W + 5,000W | 5,500W + 5,500W |
| Max. Input Current | 18A + 18A | 22A + 22A |
| Max. Open Circuit Voltage | 550Vdc+550Vdc | |
| MPPT Voltage Range | 125~450Vdc | |
| GRID/GENERATOR INPUT | | |
| Input Voltage Range | 65~140Vac | |
| Input Frequency Range | 50/60Hz | |
| Bypass Overload Current | 40A | 63A |
| A/C Inputs | 2 Inputs - Grid & Generator | 1 Input - Grid or Generator |
| THD (V) | <5% | |
| EFFICIENCY | | |
| Max. Efficiency | 99.9% | |
| MPPT Tracking Efficiency | 93% | 92% |
| Parallel Capacity | Up to 6 Units (More than 3 units in parallel can form a three-phase output) | |
| GENERAL DATA | | |
| Dimension | 25.51 x 16.14 x 5.51 Inches | 28.46 x 17.64 x 5.91 Inches |
| Weight | 48 lbs | 62 lbs |
| Protection Degree | IP20 Indoor Only | |
| Temperature | 14 - 131°F, > 113 °F Derate | |
| External Module (Optional) | Wi-Fi/GPRS | |
| Certificate | UL1741 /RoHs/EN61000-6-1/EC61000-6-3/FCC Part15 ClassB/IEC62109-1/IEC62109-2 | |
| Noise | <60dB | |
| Cooling Method | Intelligent fan | |
| Warranty | 5 years | |
| Communication | RS485/CAN/USB/Dry Contact | |
| Integrated Circuit Breaker | Utility/Load/Battery/PV | |
| OVERLOAD PROTECTION | | |
| APEX-10kW | After overload protection is enabled, the inverter output will be restored after 3 min, and after 5 times of overload, the output will be off until the inverter is restarted. (102%< load <110%): An error will be reported, and the output will be turned off after 5 min. (110%< load <125%): An error will be reported, and the output will be turned off after 10s. Load >125%: An error will be reported, and the output will be turned off after 5s. | |
| APEX-6.5kW | Has PV input current limiting protection, PV input over-voltage, PV night reverse current protection, AC input overvoltage protection, AC input under-voltage protection, Battery over-voltage protection, Battery under-voltage Protection, Battery over-current protection, AC output short-circuit protection, Heat sink over-temperature protection, Inverter over-load protection. | |

3.4 System connection diagram

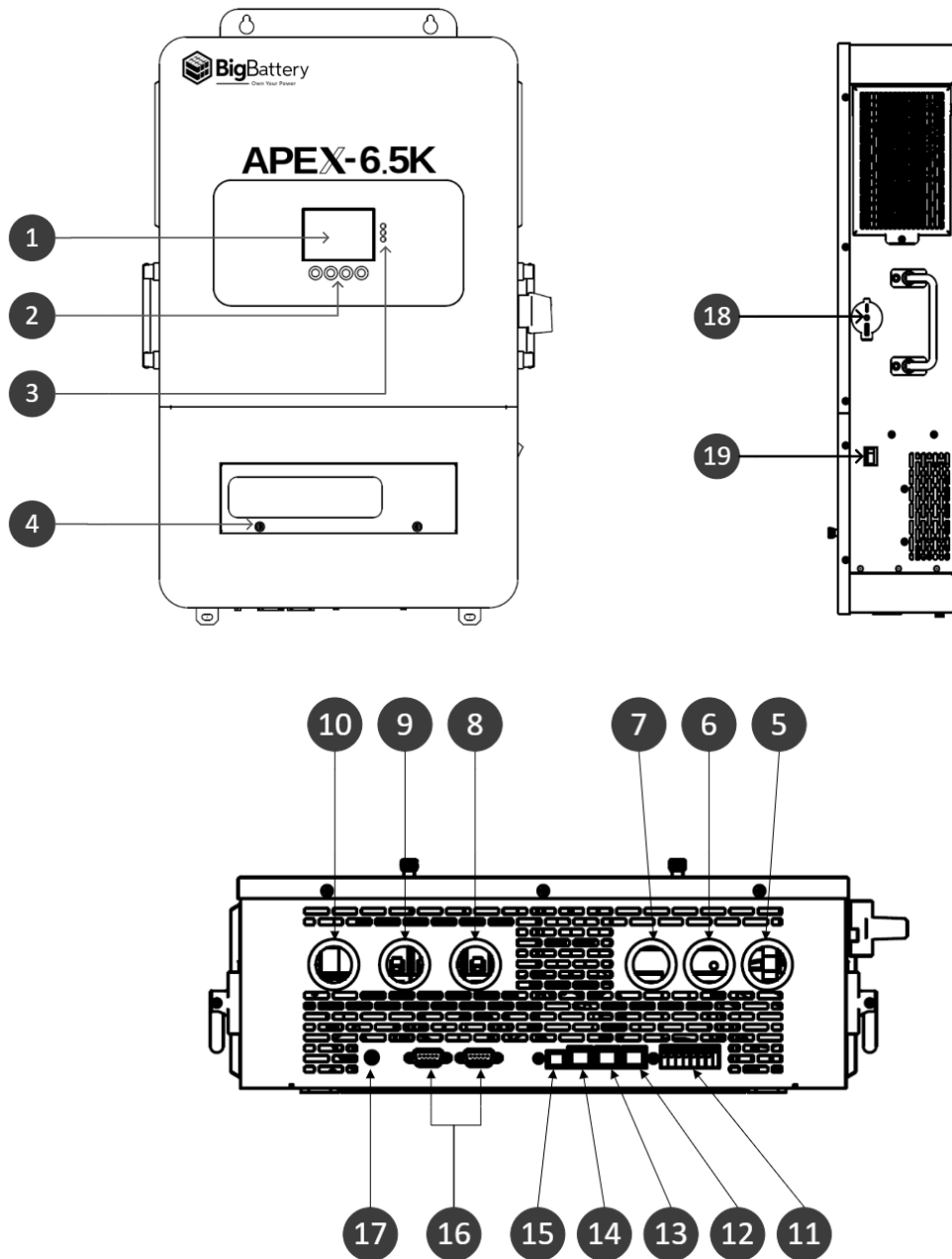
The following figure shows the system application scenario of the product. A complete system consists of the following parts:

1. PV module: It converts solar energy into DC to charge batteries or into AC to supply power to loads.
2. Grid or generator: Connected to AC input, it can charge batteries while supplying power to loads. When the battery and PV module supply power to the load, the system can generally operate without a Grid or generators.
3. Battery: The function of a battery is to ensure normal power supply for the system load when there is insufficient PV power and no Grid.
4. Household load: It can connect various household and office loads, including refrigerators, lighting fixtures, TVs, fans, air conditioners, and other AC loads.
5. Inverter: It is the energy conversion device of the entire system.

The actual application scenario determines the specific system wiring mode



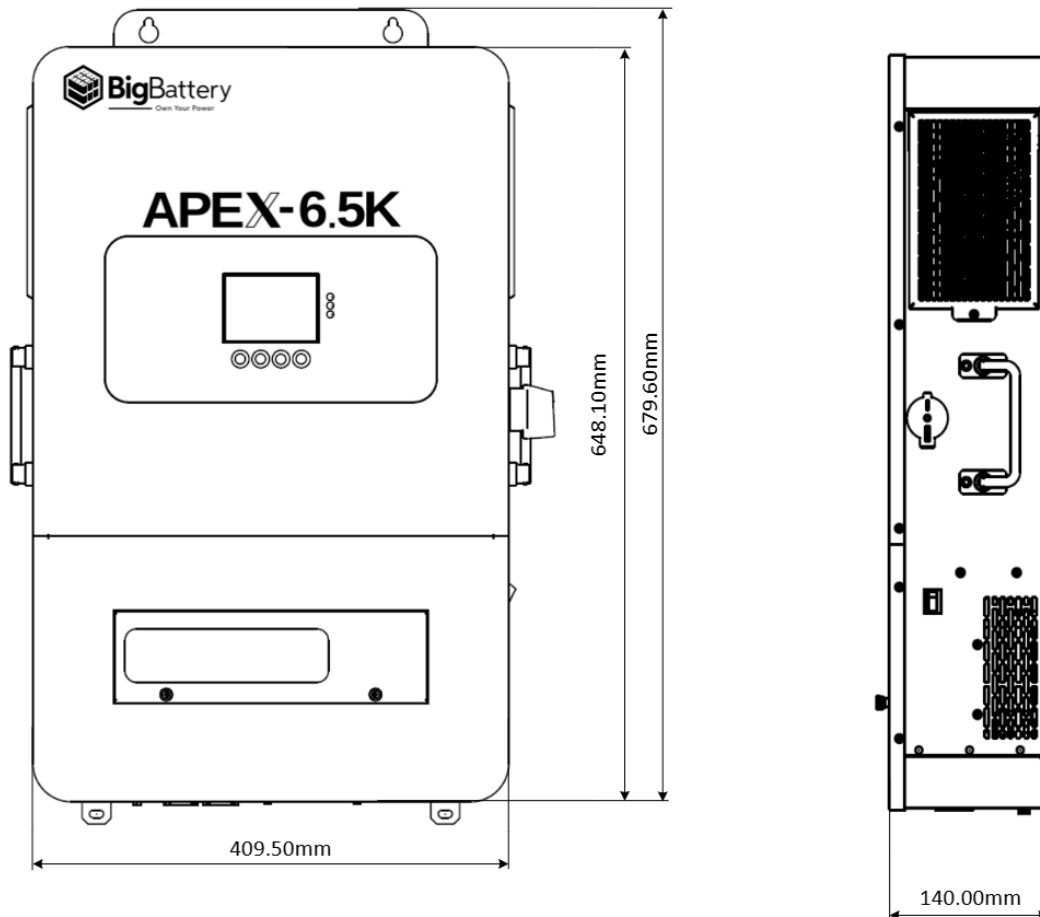
3.5 Product overview



| | | | | | |
|----|------------------------------|----|--------------------------|----|------------------------------|
| 1 | LCD screen | 2 | Physical button | 3 | LED indicator |
| 4 | Circuit breaker cover | 5 | PV input | 6 | Battery (positive electrode) |
| 7 | Battery (negative electrode) | 8 | Generator input(L1+L2+N) | 9 | Load (L1+L2+N) |
| 10 | Grid (L1+L2+N) | 11 | Dry contact | 12 | RS485/CAN port |
| 13 | WIFI port | 14 | CT | 15 | USB-B port |
| 16 | Parallel communication port | 17 | Grounding screw | 18 | PV Circuit breaker |

| | | |
|----|----------------------|--|
| 19 | ON/OFF rocker switch | |
|----|----------------------|--|

3.6 Dimension



4. Installation

WARNING: Before installing, make sure to review all warnings and precautions in Section 2.



- Do not install the inverter near highly flammable materials
- Do not install the inverter in potentially explosive areas
- Do not install the inverter and lead-acid battery in enclosed spaces

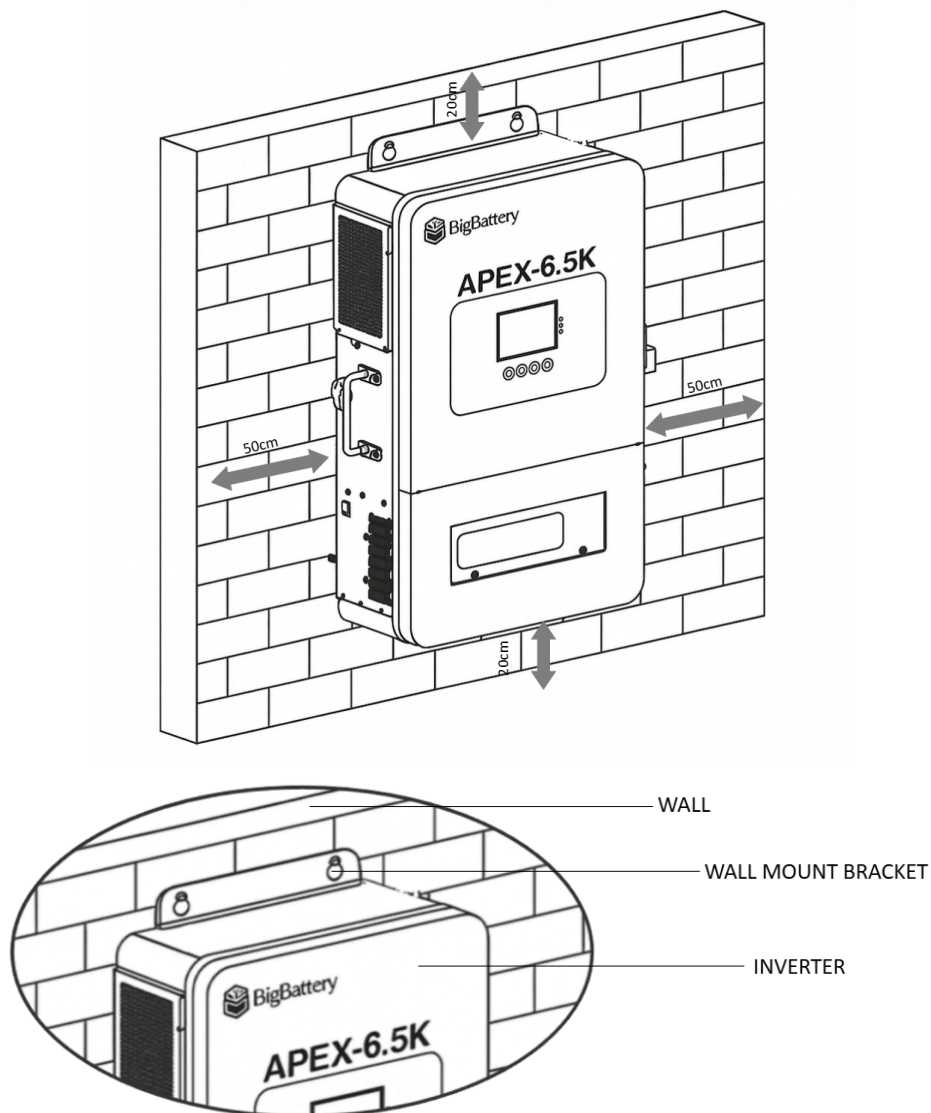


- Do not install the inverter in direct sunlight
- Do not install or use the inverter in damp environment

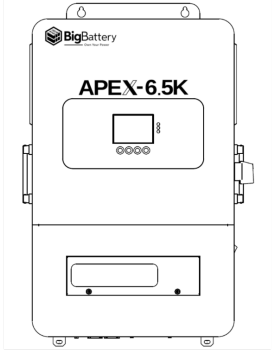
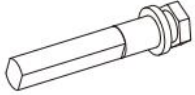
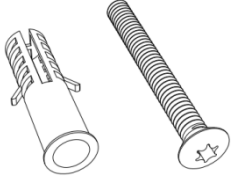
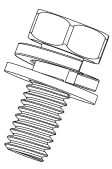

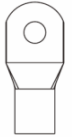

4.1 Installation location

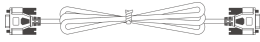
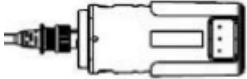
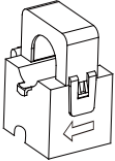
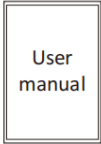



The APEX series is only for indoor use (protection level: IP20). Before selecting the installation location, users should consider the following factors:

- A solid wall
- Installation height: flush with the line of sight
- Sufficient heat dissipation space
- Ambient temperature: -10°C – 55°C (14°F – 131°F), to ensure optimal operation



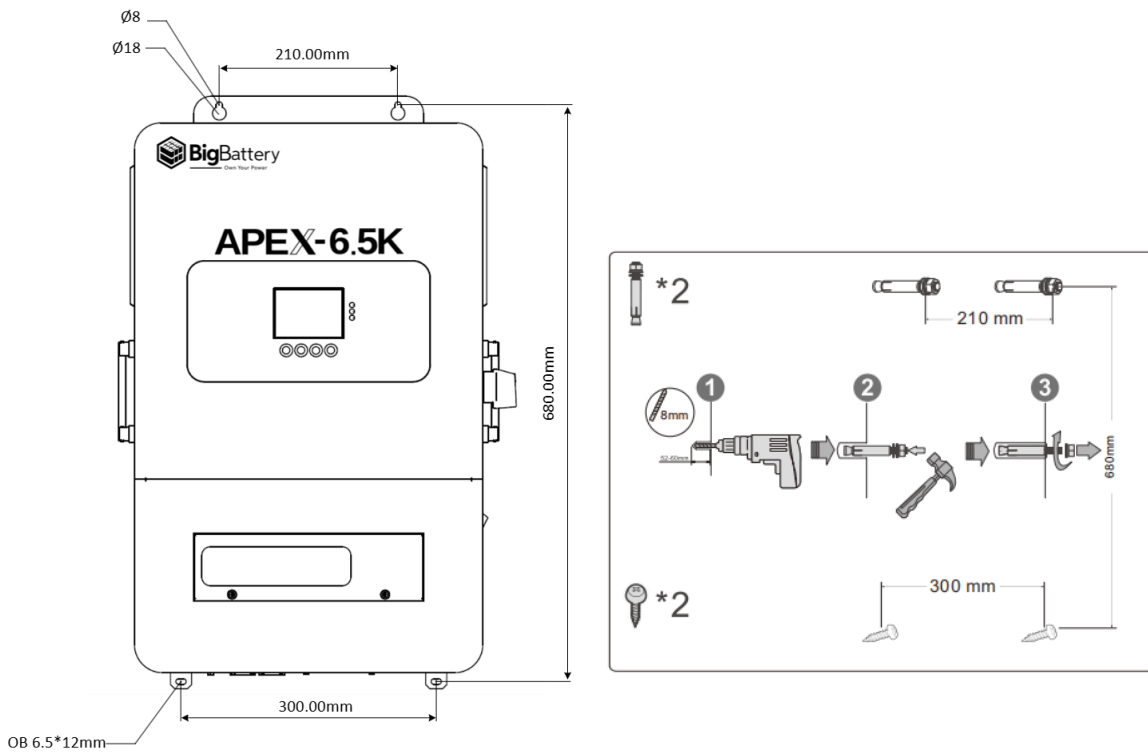
4.2 Packing list

| NO. | Pictures | Description | Quantity |
|-----|---|---------------------------------------|----------|
| 1 |  | Inverter | 1pcs |
| 2 |  | M6*60mm Expansion screw | 2pcs |
| 3 |  | M5*30mm Plastic expansion screw | 2pcs |
| 4 |  | Phillips screw M6*10mm | 2pcs |
| 5 |  | Backup screw M6*10mm | 2pcs |
| 6 |  | SC35-6 Copper lug | 2pcs |
| 7 |  | Black screw M3X6mm | 4pcs |

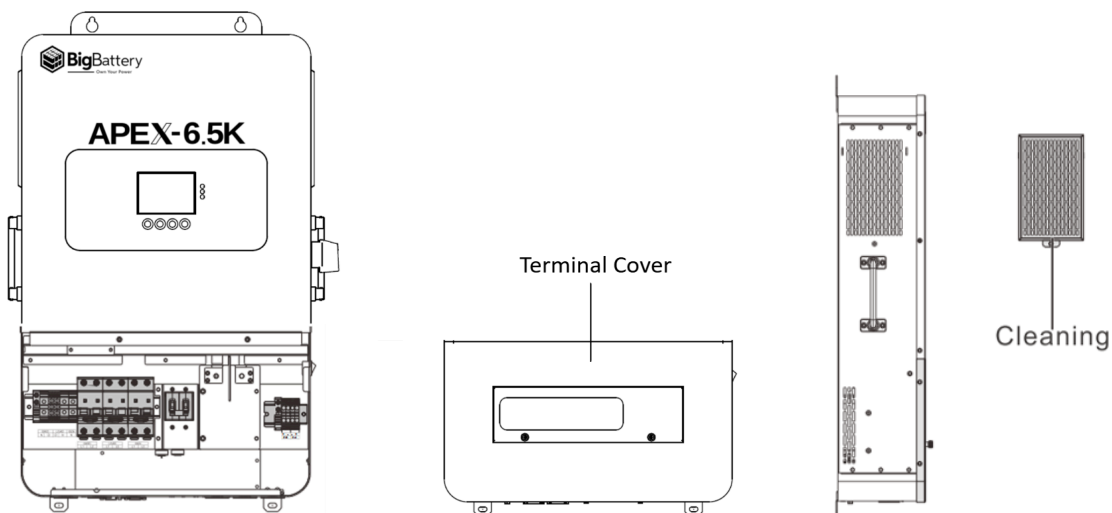
| | | | |
|----|---|------------------------------|------|
| 8 |  | Parallel communication cable | 1pcs |
| 9 |  | WiFi logger (optional) | 1pcs |
| 10 |  | CT (optional) | 2pcs |
| 11 |  | User manual | 1pcs |
| 12 |  | The warranty card | 1pcs |
| 13 |  | Quality Certificate | 1pcs |
| 14 |  | Outgoing inspection report | 1pcs |

4.3 Inverter installation

Drill 4 installation holes of the specified sizes on the wall with an electric drill, insert 2 expansion screws above, and fix the inverter with 2 M5 screws below.



4.4 Removal of terminal cover and insect-proof net

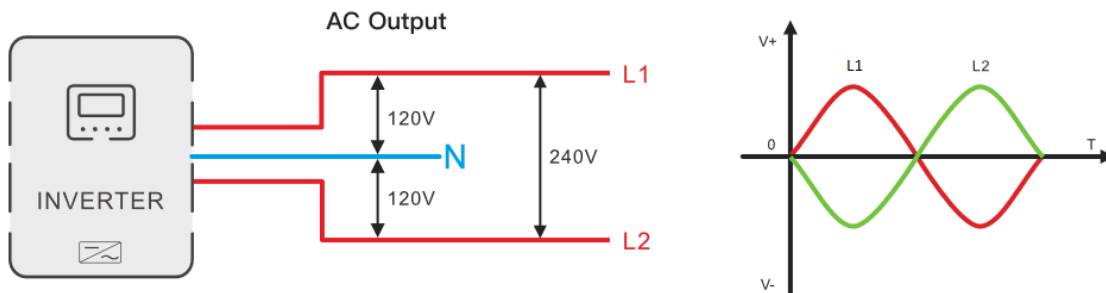


When using the inverter in areas with poor air quality, the dustproof net is easily blocked by air particles. Please regularly remove and clean it to avoid affecting the air flow rate inside the inverter; otherwise it may cause inverter overheating (19/20 fault), and affect power supply and the service life of the inverter

5. Wiring

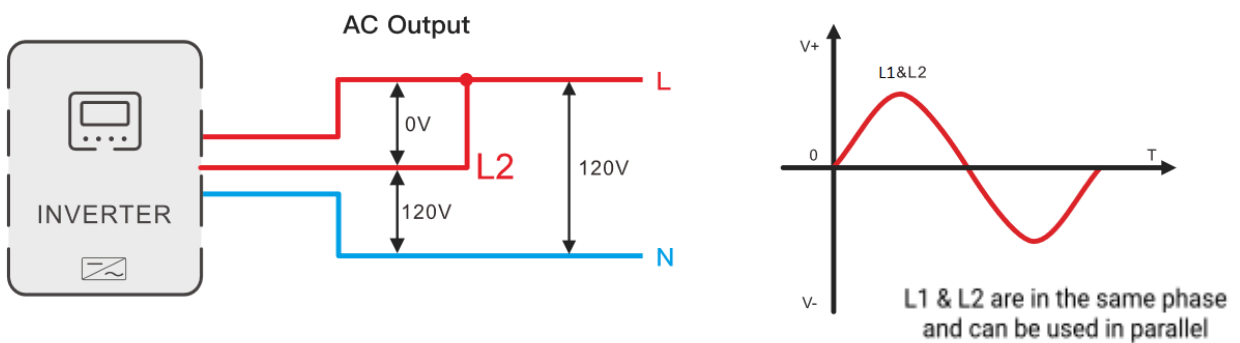
5.1 Wiring mode (depends on the output mode)

- **Split-phase mode (default)**



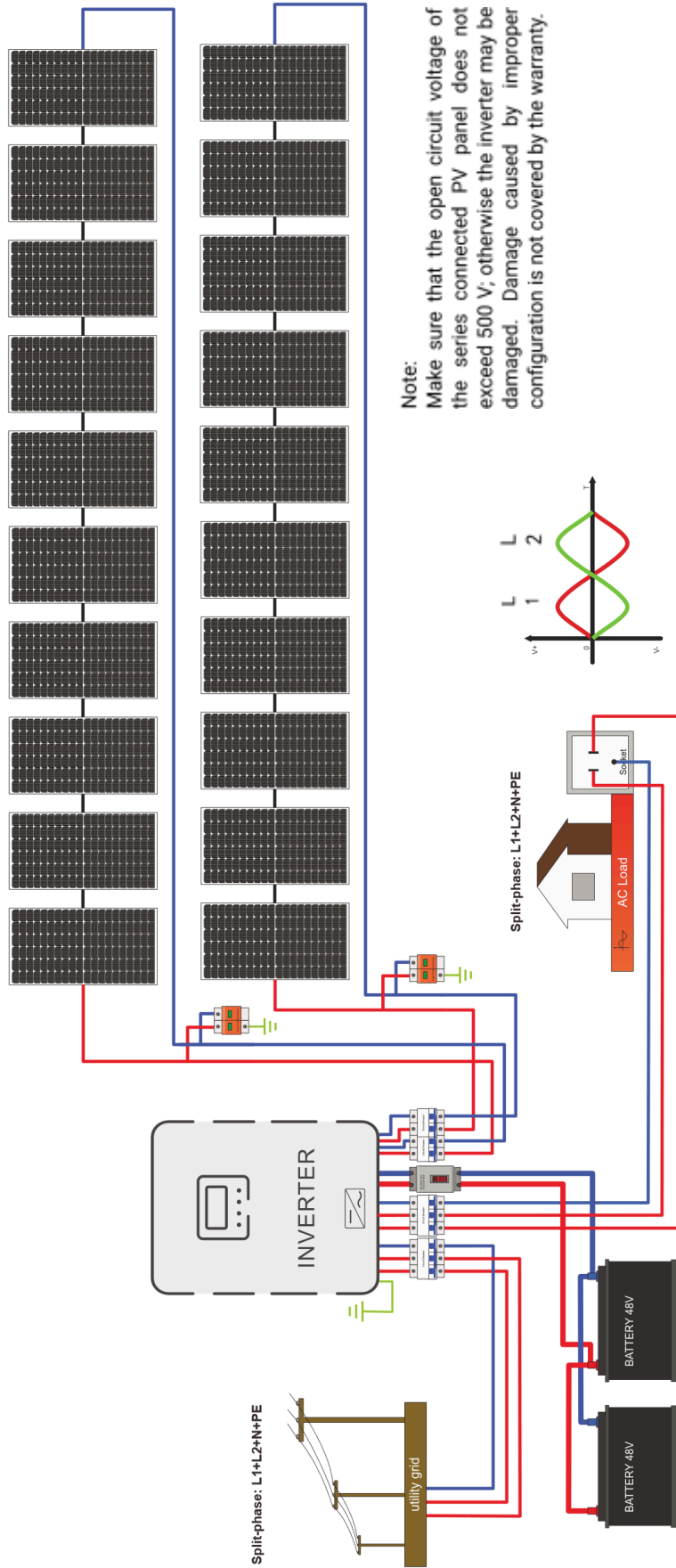
| Item | Description |
|-------------------------------|------------------------------------|
| AC output phase voltage (L-N) | 100 VAC-120 VAC, 120 VAC (default) |
| AC output line voltage (L-L) | 200 VAC-240 VAC, 240 VAC (default) |

- **Single-phase mode**

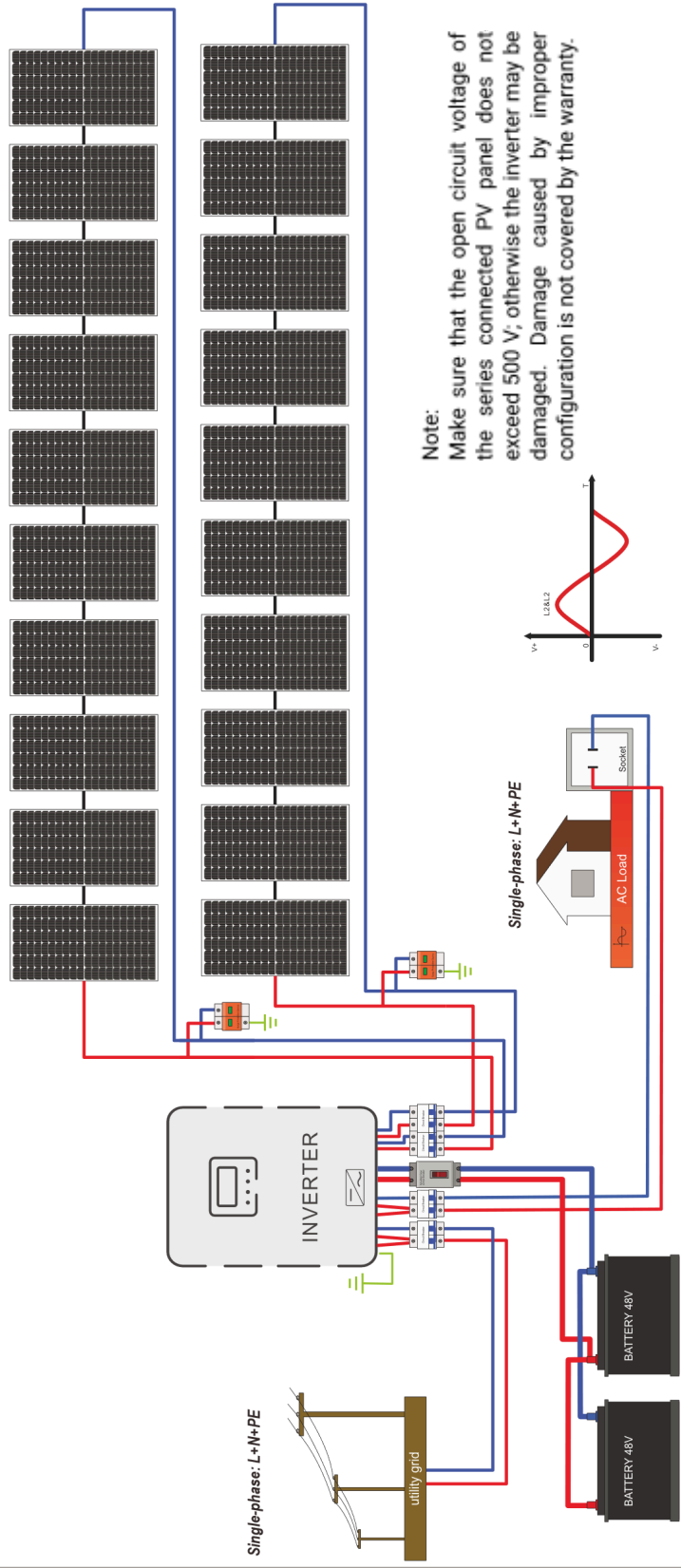


| Item | Description |
|-------------------------------|------------------------------------|
| AC output phase voltage (L-N) | 100 VAC-120 VAC, 120 VAC (default) |

Split-phase Mode



Single-phase Mode




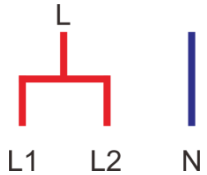
Note:
 Make sure that the open circuit voltage of the series connected PV panel does not exceed 500 V; otherwise the inverter may be damaged. Damage caused by improper configuration is not covered by the warranty.

5.2 Cable and circuit breaker model


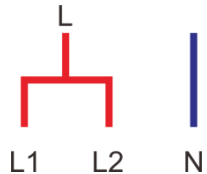
- PV INPUT

| Inverter Model | Cable Size | Maximum Input Current | Circuit Breaker Model |
|----------------|-------------------------|-----------------------|-----------------------|
| APEX-6.5kW | 4mm ² /12AWG | 18A/18A | 2P-25A |

- Grid input

| Inverter Model | Output Mode | Diagram | Maximum Current | Cable Size | Circuit Breaker Model |
|----------------|-------------------|--|----------------------|--|-----------------------|
| APEX-6.5kW | Split-phase mode |  | 40A(L1/L2/N) | 10mm ² /8AWG (L1\L2\N) | 3P-40A |
| | Single-phase mode |  | 40A(L1/L2) 80A(N) | 10mm ² /8AWG(L1/L2) 20mm ² /4AWG(N) | 2P-80A |


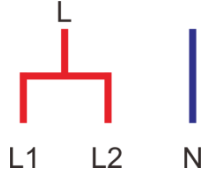
- Generator input

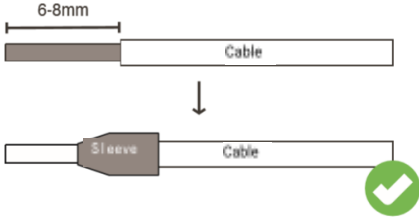
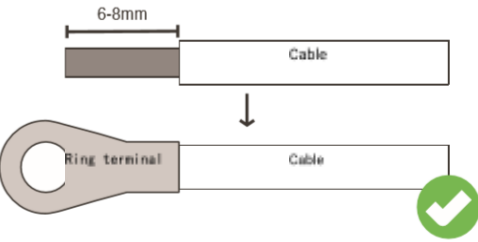
| Inverter Model | Output Mode | Diagram | Maximum Current | Cable Size | Circuit Breaker Model |
|----------------|-------------------|---|----------------------|--|-----------------------|
| APEX-6.5kW | Split-phase mode |  | 40A(L1/L2/N) | 10mm ² /8AWG (L1\L2\N) | 3P-40A |
| | Single-phase mode |  | 40A(L1/L2) 80A(N) | 10mm ² /8AWG(L1/L2) 16mm ² /6AWG(N) | 2P-80A |

- Battery

| Inverter Model | Cable Size | Maximum Current | Circuit Breaker Model |
|----------------|-------------------------|-----------------|-----------------------|
| APEX-6.5kW | 35mm ² /2AWG | 150A | 2P-160A |

● AC output

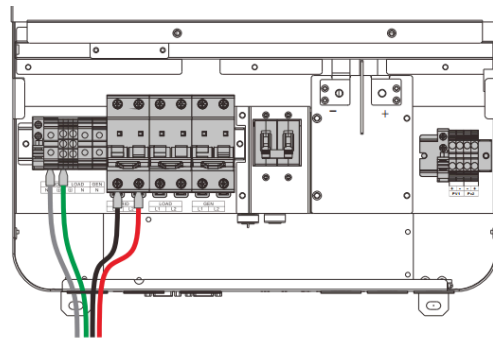
| Inverter Model | Output Mode | Diagram | Maximum Current | Cable Size | Circuit Breaker Model |
|----------------|-------------------|---|----------------------|--|-----------------------|
| APEX 6.5kW | Split-phase mode |  | 40A(L1/L2/N) | 10mm ² /8AWG (L1\L2\N) | 3P-40A |
| | Single-phase mode |  | 40A(L1/L2) 80A(N) | 10mm ² /8AWG(L1/L2) 16mm ² /6AWG(N) | 2P-80A |

| | |
|---|--|
| <p>PV input, AC input, and AC output terminals</p> <ol style="list-style-type: none"> 1. Use a wire stripper to strip off 6 mm–8 mm long insulation layer of the cable. 2. Fix a sleeve at the end of the cable (the sleeve is to be prepared by the user) |  |
| <p>Battery terminal</p> <ol style="list-style-type: none"> 1. Use a wire stripper to strip off 6 mm–8 mm long insulation layer of the cable. 2. Fix a ring terminal (attached) at the end of the cable |  |
| <p>The cable size is for reference only. If the distance between the PV array and the inverter or between the inverter and the battery is long, using thicker cables will reduce voltage drop and improve system performance.</p> | |

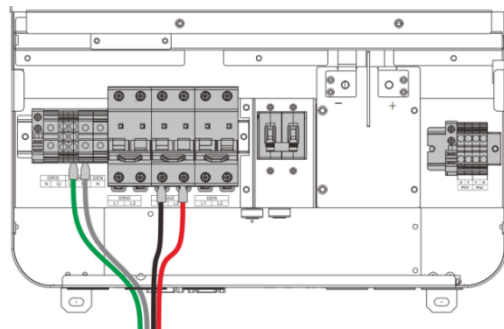
5.3 GRID and LOAD and Gen Wiring

Connect the live wire, neutral wire, and ground wire according to the cable position and sequence shown in the following figure.

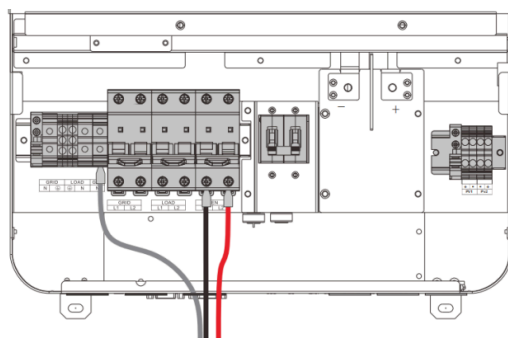
GRID:



LOAD:



Generator:

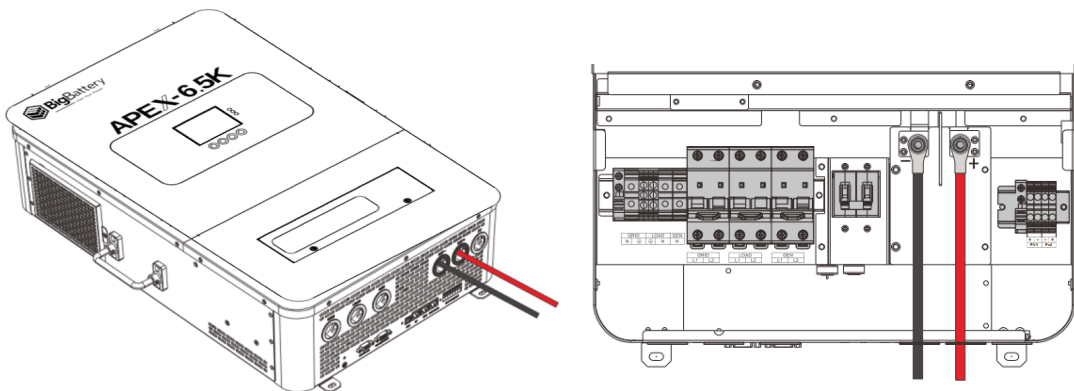




- Before connecting AC input and output, be sure to disconnect the circuit breaker to avoid the risk of electric shock. Do not conduct live operation.
- Please check whether the cables used are sufficient to meet the requirements. Cables that are too thin or of poor quality may pose serious safety hazards.

5.4 Battery wiring

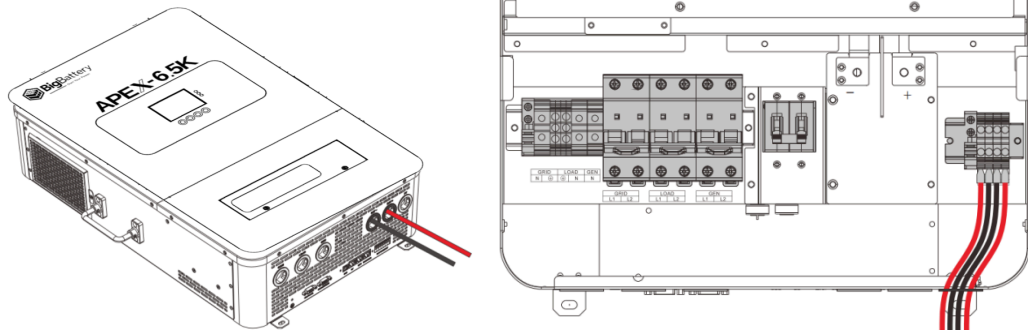
Connect the positive and negative cables of the battery according to the cable position and sequence shown in the following figure



- Before connecting the battery, be sure to disconnect the circuit breaker to avoid the risk of electric shock. Do not conduct live operation.
- Please check the positive and negative terminals of the battery for correct connection and no reverse connection; otherwise it may damage the inverter.
- Please check whether the cables used are sufficient to meet the requirements. Cables that are too thin or of poor quality may pose serious safety hazards.

5.5 PV wiring

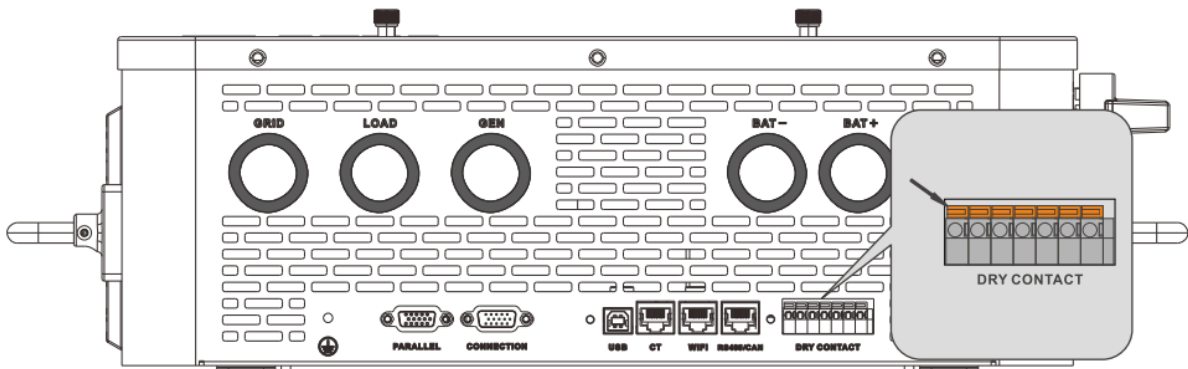
Connect the positive and negative terminals of the two-channel PV modules according to the cable position and sequence shown in the following figure.



- Before connecting PV modules, be sure to disconnect the circuit breaker to avoid the risk of electric shock. Do not conduct live operation.
- Please make sure that the open circuit voltage of the series connected PV modules does not exceed the maximum open circuit voltage of the inverter (in ABP series, this value is 550 V); otherwise the inverter may be damaged.

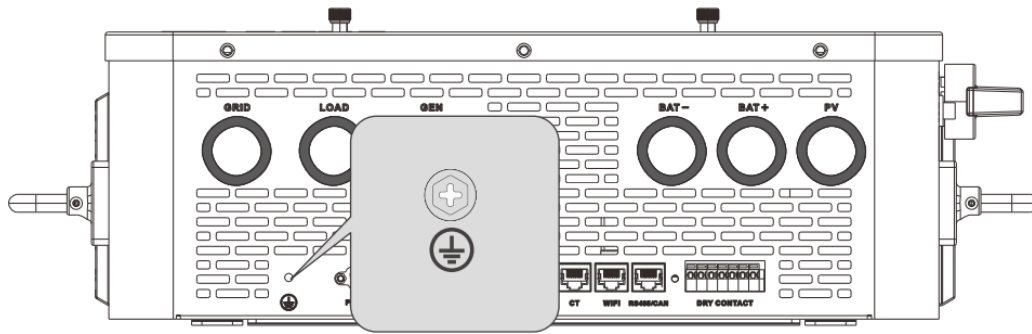
5.6 Dry contact wiring

Use a small-sized screwdriver to push back in the direction indicated by the arrow, and then insert the communication cable into the dry contact port. (Communication cable section: 0.2 mm²–1.5 mm²)



5.7 Grounding

Please ensure that the grounding terminal is reliably connected to the grounding busbar.



- The grounding cable size shall not be less than 4 mm² and shall be as close as possible to the grounding point

5.8 Inverter start

After confirming reliable wiring and correct wiring sequence, restore the terminal cover to its original position

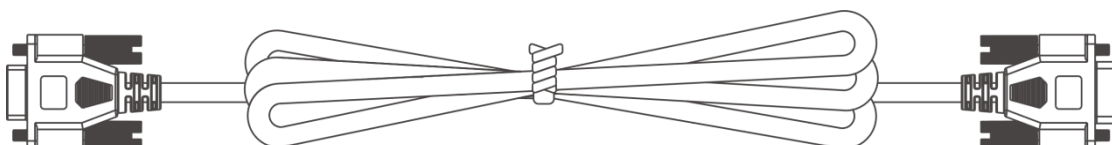
- Step 1: Close the circuit breaker of the battery
- Step 2: Press the rocker switch at the bottom of the inverter, and the screen and indicator will light up, indicating that the inverter is enabled
- Step 3: Close the circuit breakers for PV input, AC input, and AC output in sequence
- Step 4: Start loads one by one in order of power from small to large

5.9 Parallel wiring

5.9.1 Parallel operation

1. The parallel operation supports up to six solar storage inverters.
2. When using the parallel function, it is necessary to connect the parallel communication cable in a correct and reliable manner. See the figure below for the communication cable (packaging accessory):

Parallel communication cable*1



5.9.2 Cautions for parallel connection

Warning:

1. PV wiring:

In parallel connection, the PV array of each inverter must be independent, and the PV array of PV1 and PV2 for one inverter must also be independent.

2. Battery wiring

In single-phase or three-phase parallel connection, all solar storage inverters must be connected to the same battery, with BAT+ connected to BAT+ and BAT- to BAT-, and before power on and start-up, it is necessary to check and ensure correct connection, wiring length, and cable size, so as to avoid the abnormal operation of parallel system output caused by wrong connection.

3. LOAD wiring:

In single-phase parallel connection, all solar storage inverters must be connected in the manner of L-to-L, N-to-N, and PE-to-PE, and before power on and start-up, it is necessary to check and ensure correct connection, wiring length, and cable size, so as to avoid the abnormal operation of parallel system output caused by wrong connection.

In three-phase parallel connection, all solar storage inverters must be connected in the manner of N-to-N and PE-to-PE. The L lines of all inverters in the same phase shall be connected together, but the AC output L lines of different phases shall not be connected together. Other cautions are the same as those for single-phase parallel connection.

4. GRID and GEN wiring:

In single-phase parallel connection, all solar storage inverters must be connected in the manner of L-to-L, N-to-N, and PE-to-PE, and before power on and start-up, it is necessary to check and ensure correct connection, wiring length, and cable size, so as to avoid the abnormal operation of parallel system output caused by wrong connection. Meanwhile, it is not allowed to have multiple different AC source inputs to avoid damage to the external equipment of the inverter. The AC source input shall be consistent and unique.

In three-phase parallel connection, all solar storage inverters must be connected in the manner of N-to-N and PE-to-PE. The L lines of all inverters in the same phase shall be connected together, but the AC output L lines of different phases shall not be connected together. Other cautions are the same as those for single-phase parallel connection.

5. Communication wiring:

Our company's communication cable for parallel operation is a DB15 standard computer cable with shielding function, and it is used for single-phase or three-phase parallel connection. Each inverter shall be connected with one out and one in, that is, the male connector (out) of the inverter is to be connected to the female connector (in) of the parallel inverter, not the one of the inverter. In

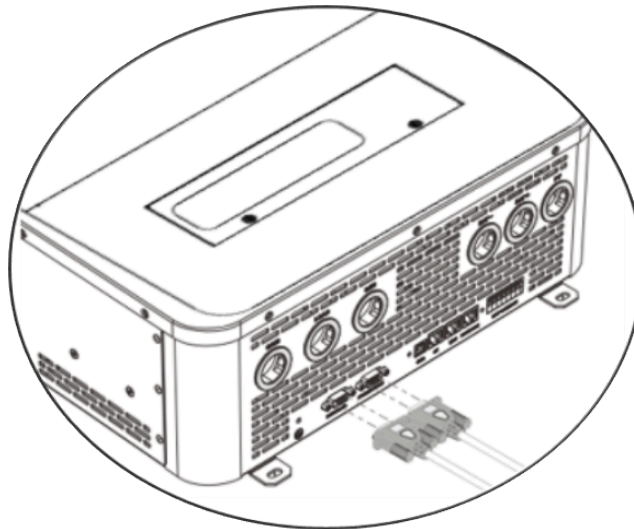
addition, DB15 terminal screws will be used to tighten the communication cable of each parallel inverter to avoid falling off or poor contact of the communication cable, followed by abnormal operation or damage of the system output.

6. Before and after connecting the system, please carefully refer to the following system wiring diagrams to ensure that all wiring is correct and reliable before power on.
7. After the system is correctly wired, powered on, and in normal operation, if a new inverter needs to be connected, make sure to disconnect the battery input, PV input, AC input and AC output, and that all solar storage inverters are powered off before reconnecting into the system.

5.9.3 Wiring diagram for single-phase parallel connection

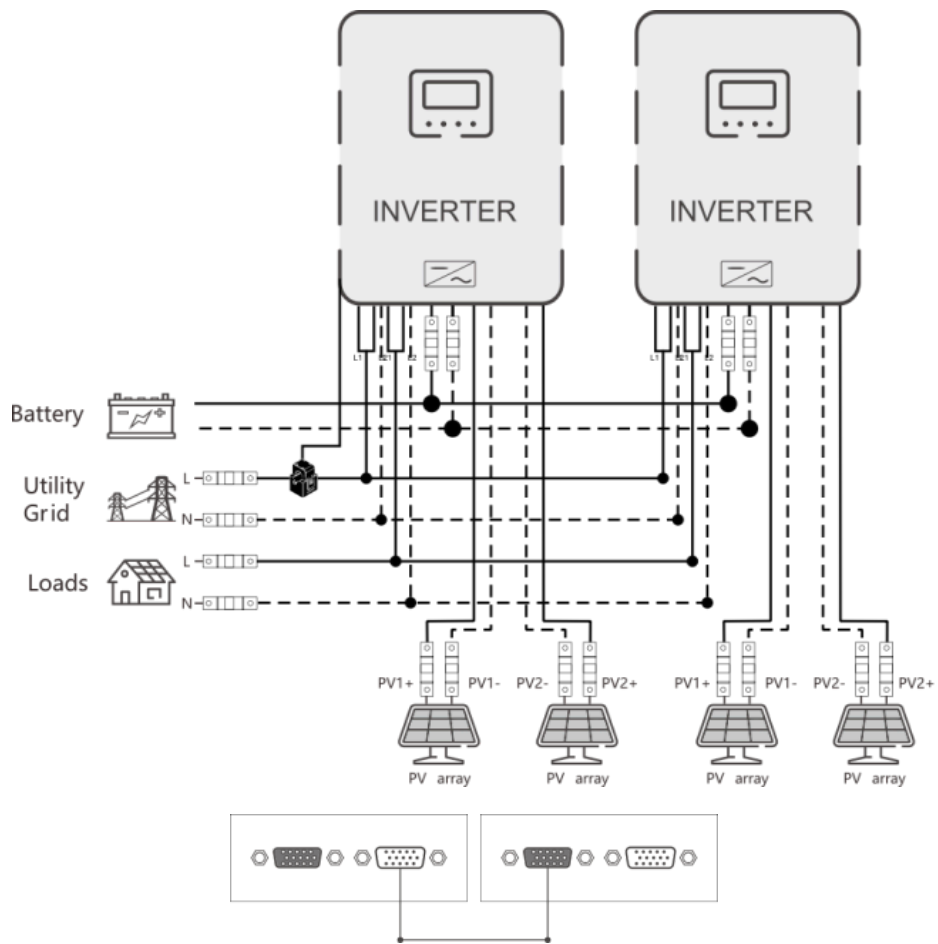
(phase difference between L1 and L2: 0°)

- The communication cable of the parallel solar storage inverter is to be locked with screws after connecting. See the diagram below:

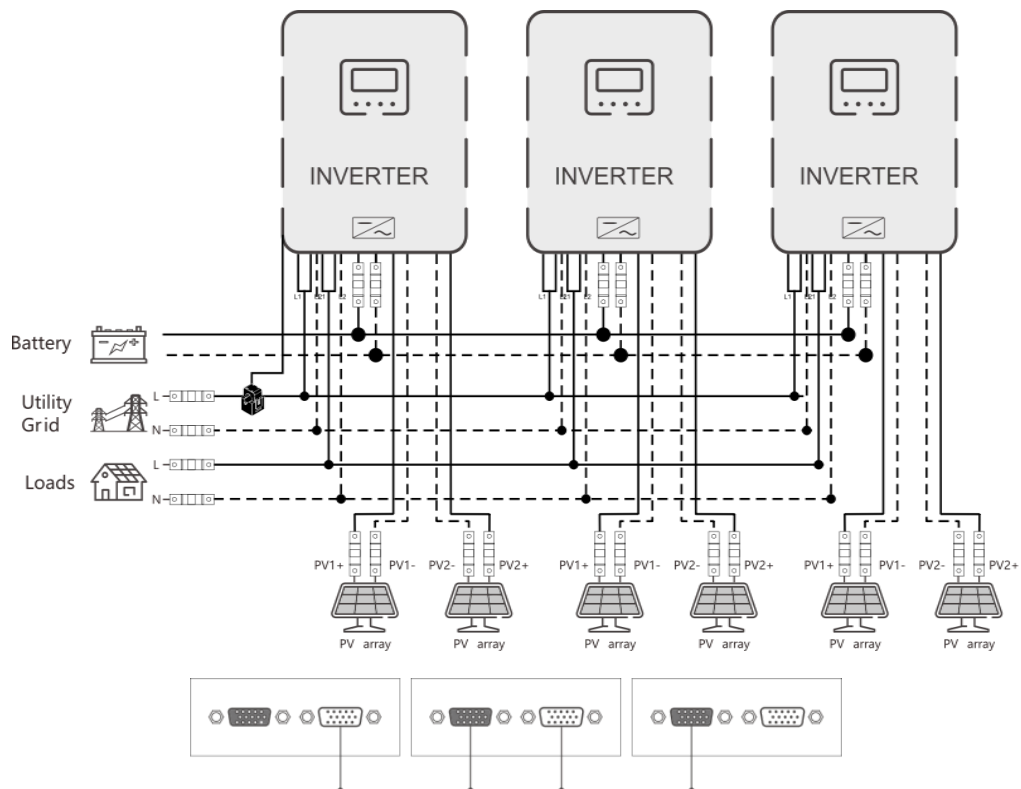


- See the diagram below for parallel connection
Set the item [31] to "PAL" and the item [68] to "0°." When setting the item [38] to "120 V," the output L-N voltage is 120 V

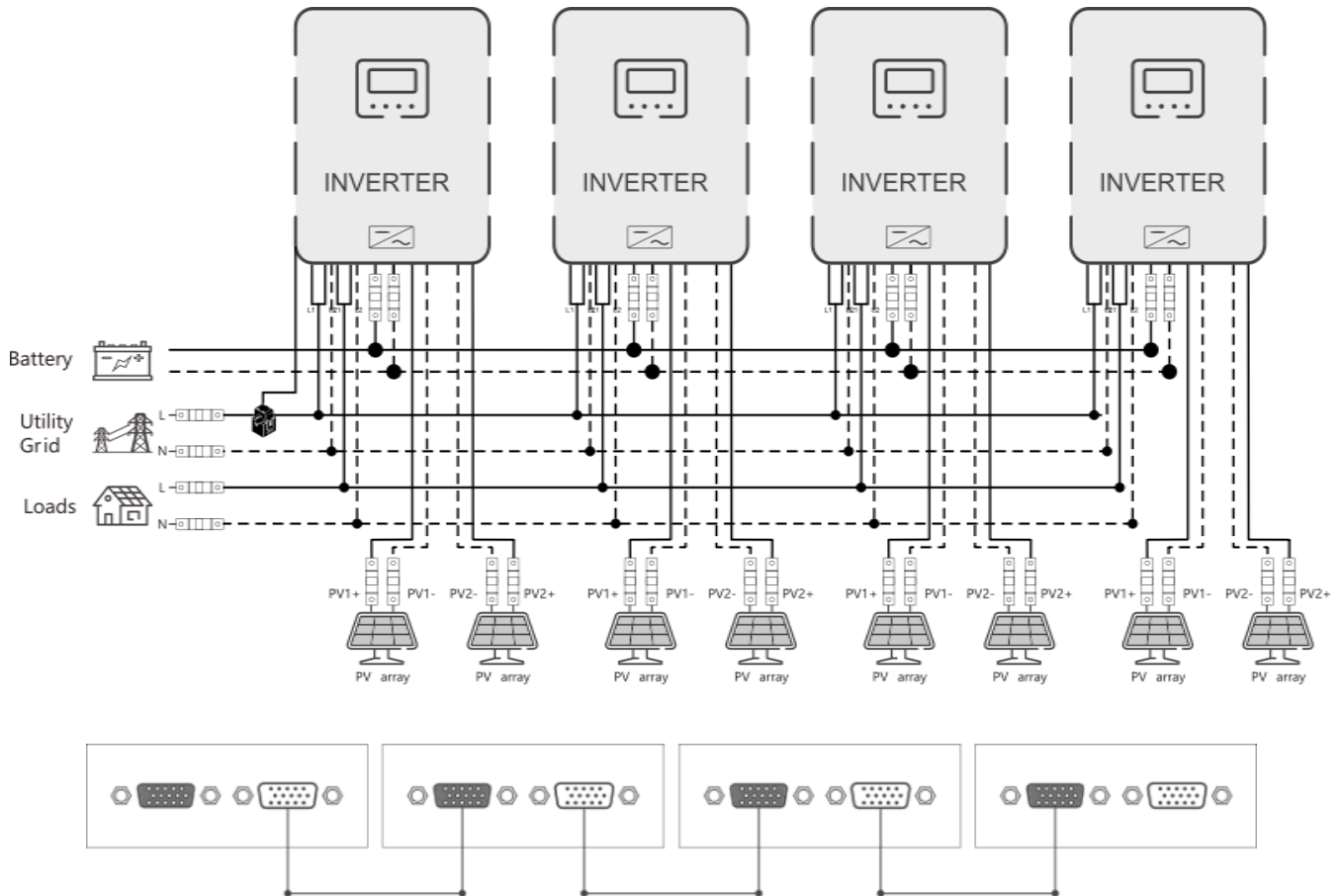
1. Two parallel-connected solar storage inverters:



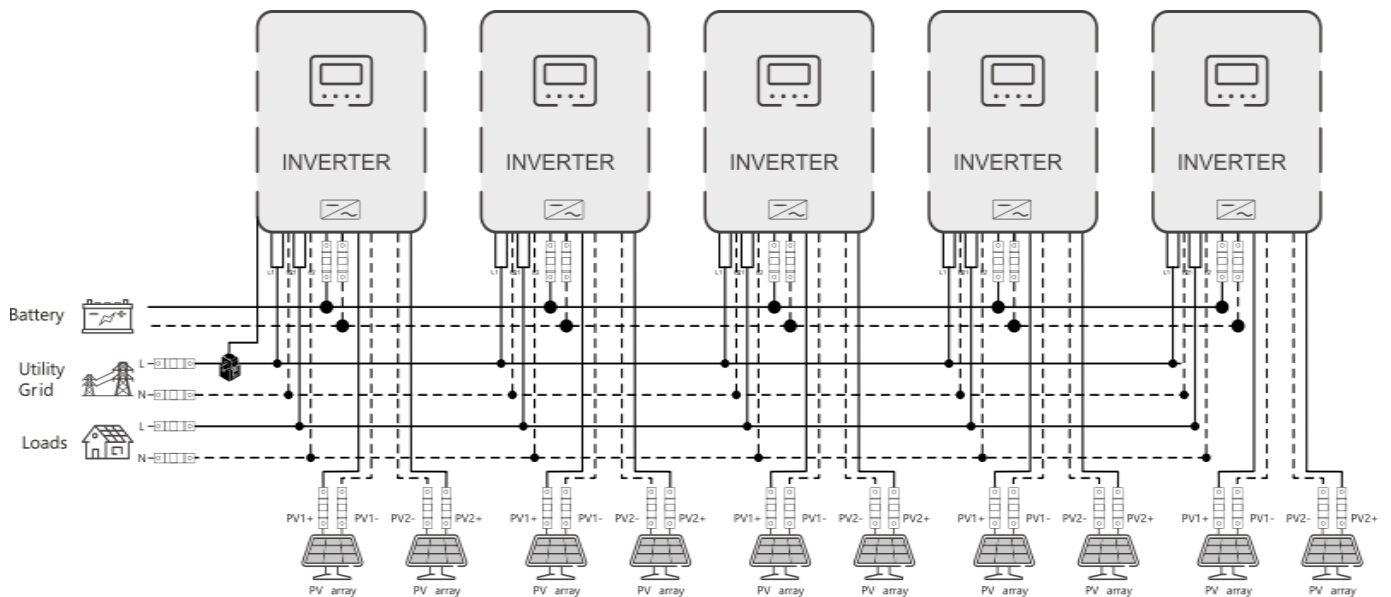
2. Three parallel-connected solar storage inverters:

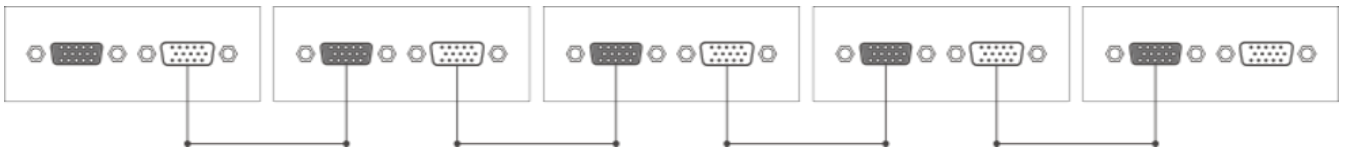


3. Four parallel-connected solar storage inverters:

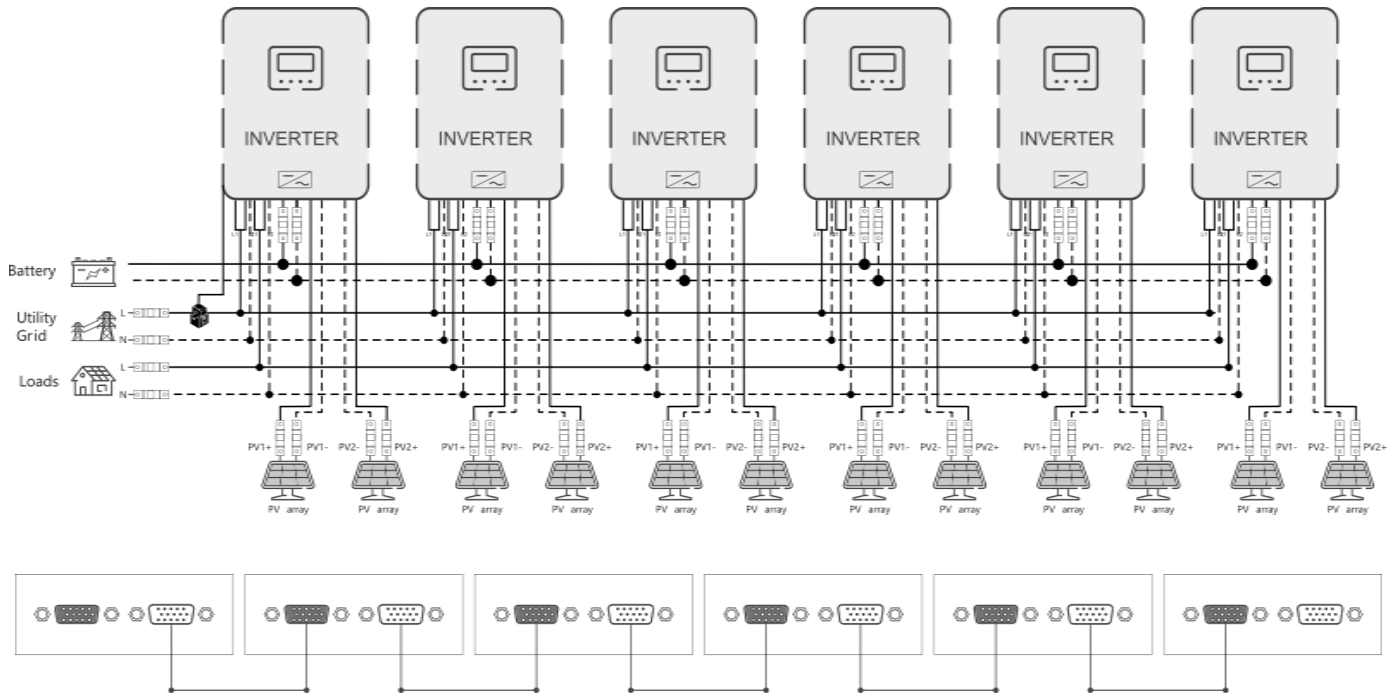


4. Five parallel-connected solar storage inverters:





5. Six parallel-connected solar storage inverters:



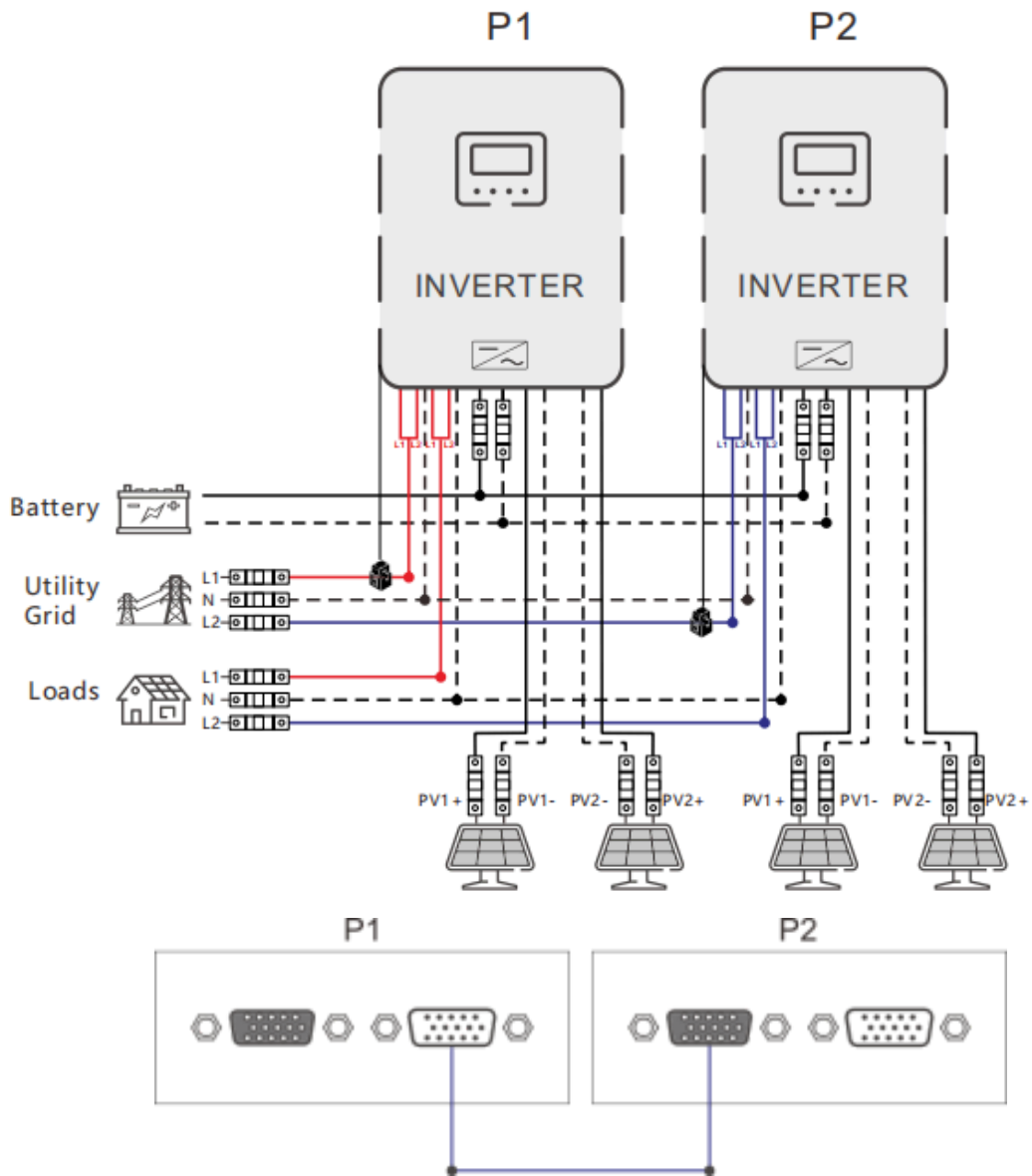
5.9.4 Wiring diagram for two-phase parallel connection

(phase difference between L1 and L2: 0°)

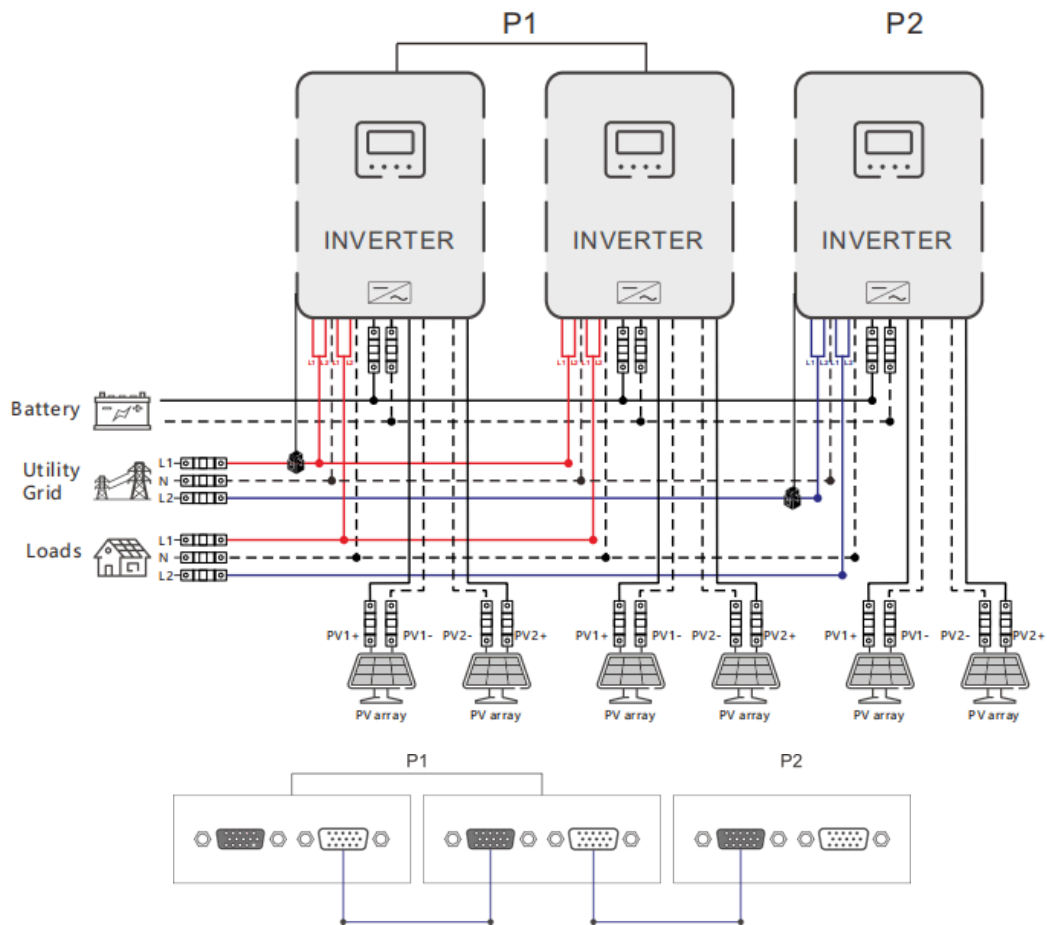
(1) P1: Set the item [31] to "2P0;" P2: Set the item [31] to "2P1," all of the P1/P2 inverter item [68] can not be set, it is default "0" and the phase difference between P1 and P2 is 120°. When setting the item [38] to "120 V," the voltage between the live wire L1 of P1 phase and the live wire L2 of P2 phase is 208 V, and the L1-N voltage is 120 V

(2) P1: Set the item [31] to "2P0;" P2: Set the item [31] to "2P2," all of the P1/P2 inverter item [68] can not be set, it is default "0" and the phase difference between P1 and P2 is 180°. When setting the item [38] to "120 V," the voltage between the live wire L1 of P1 phase and the live wire L2 of P2 phase is 240 V, and the L1-N voltage is 120 V, L2-N voltage is 120V

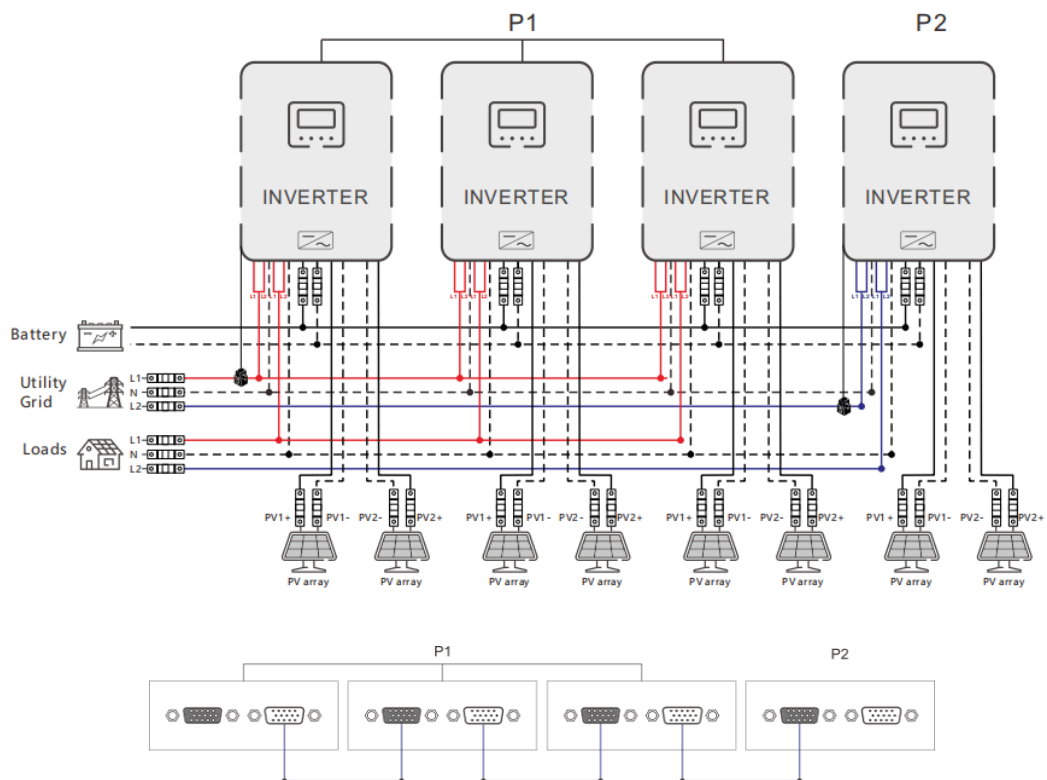
a. Split-phase system (two inverters) 1+1 system:



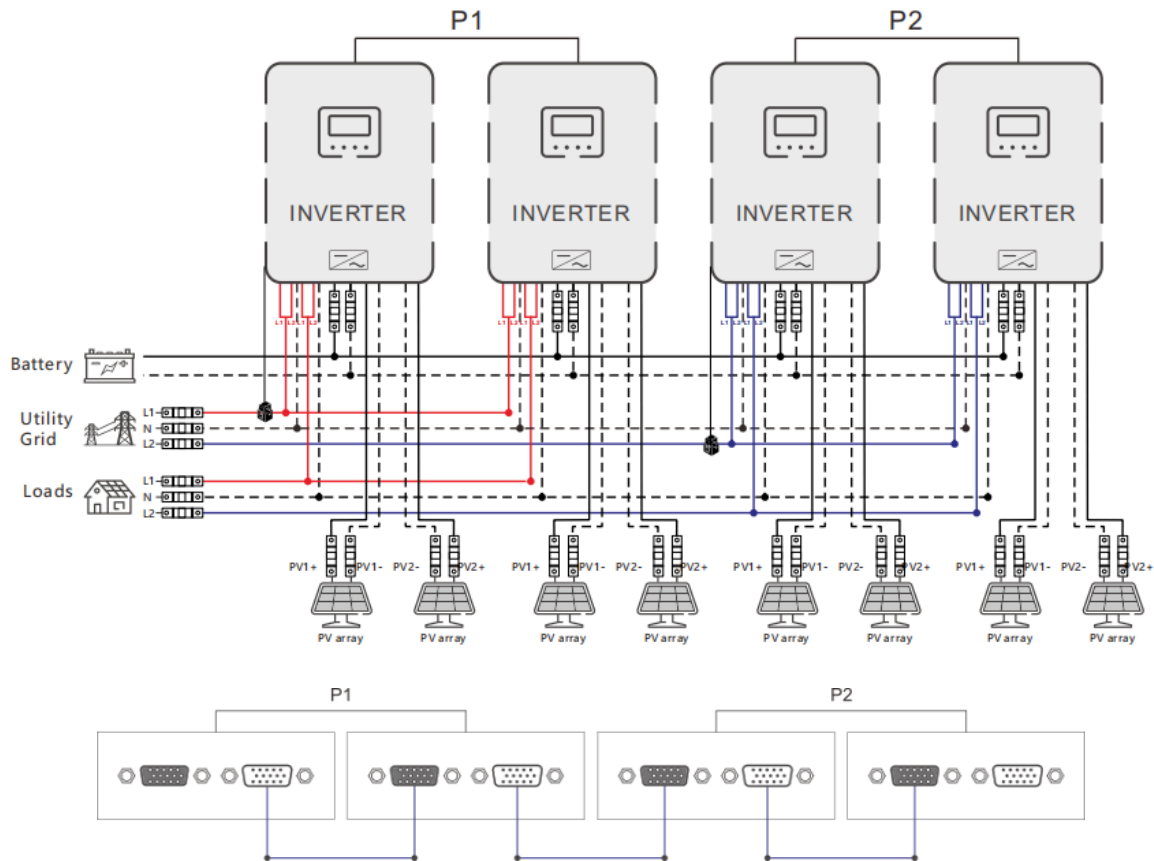
**Split-phase system (three inverters)
2+1 system**



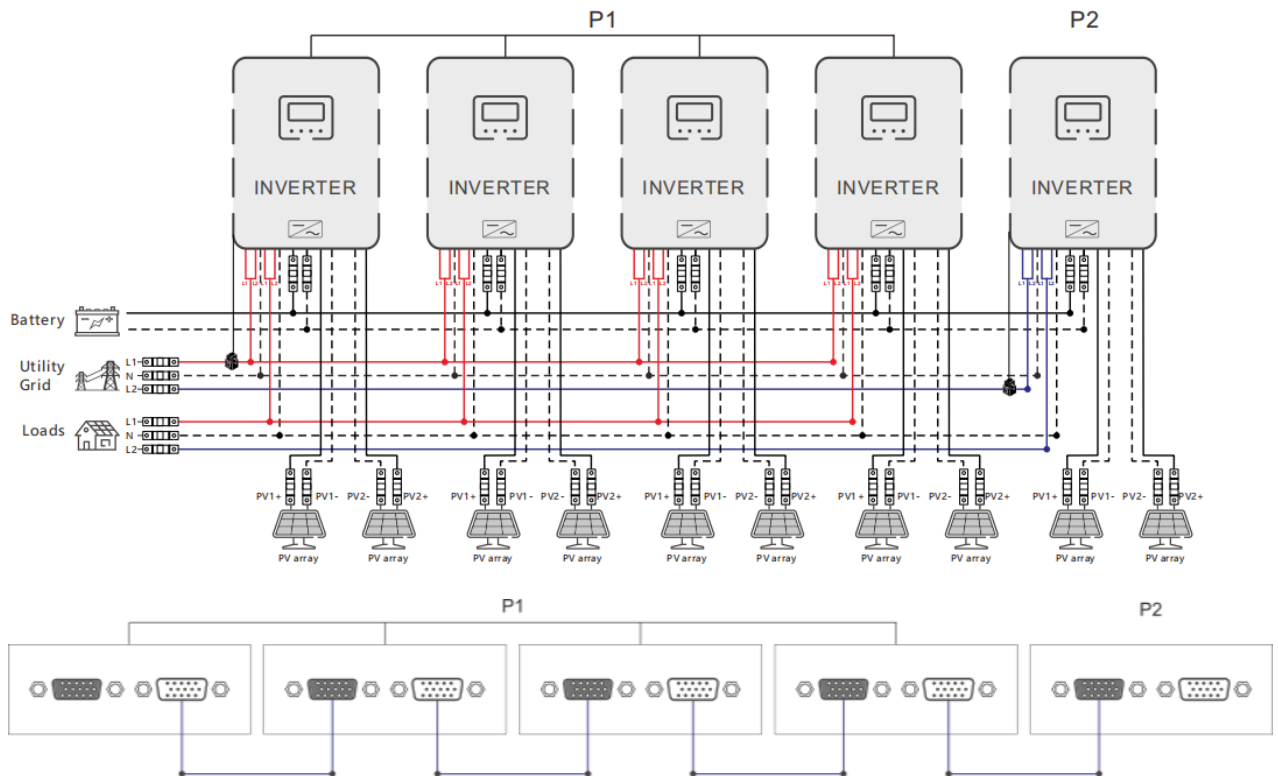
**b. Split-phase system (four inverters)
3+1 system:**



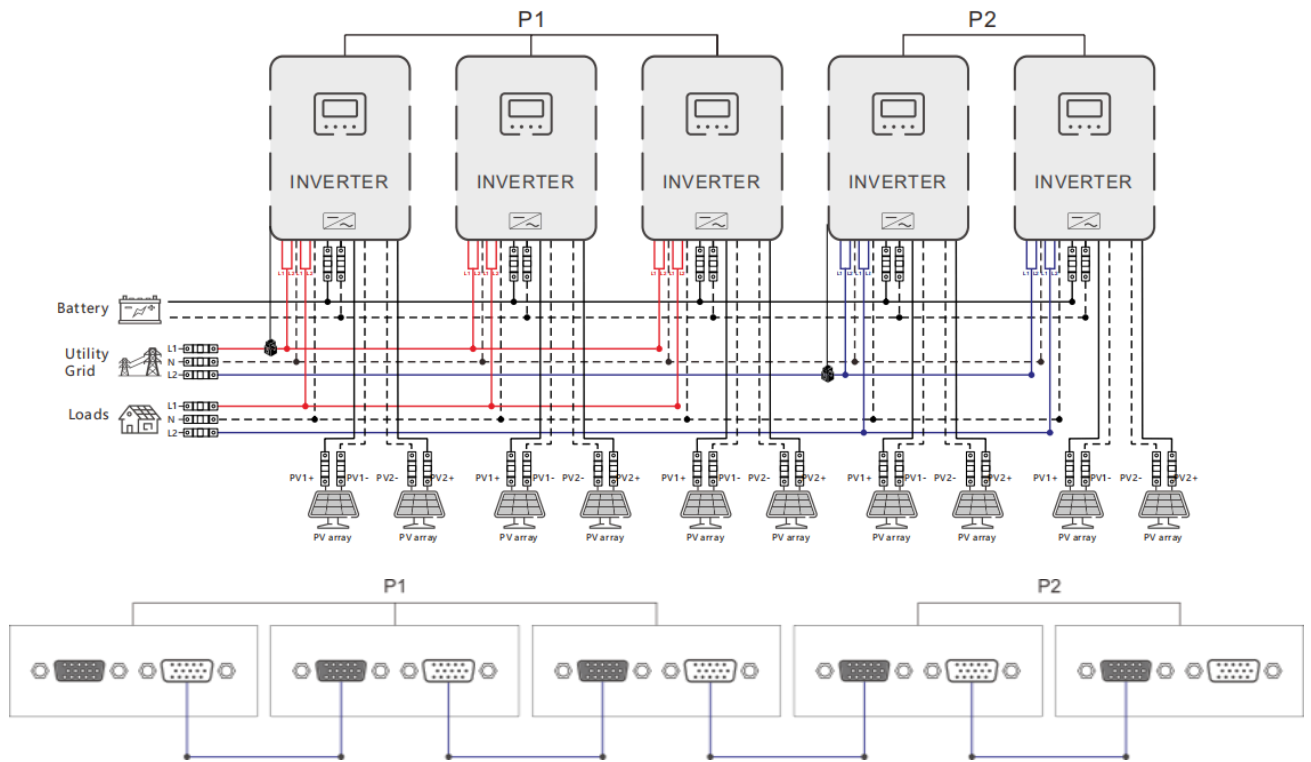
2+2 system:



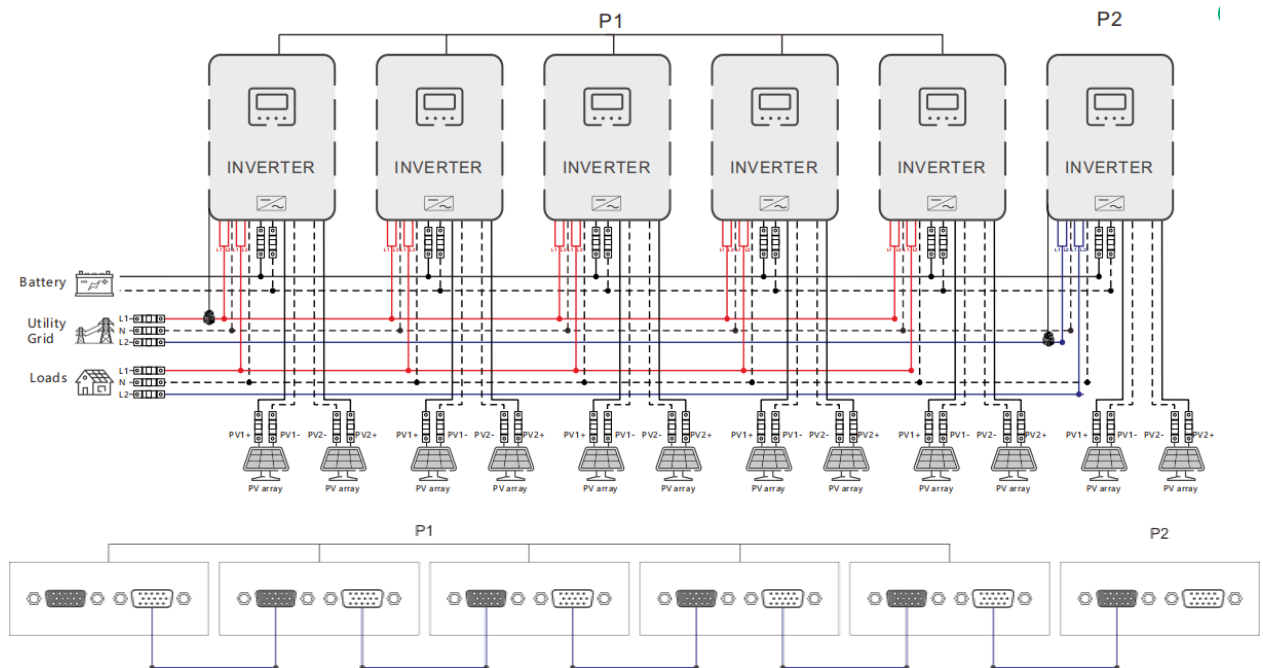
**c. Split-phase system (five inverters)
4+1 system:**



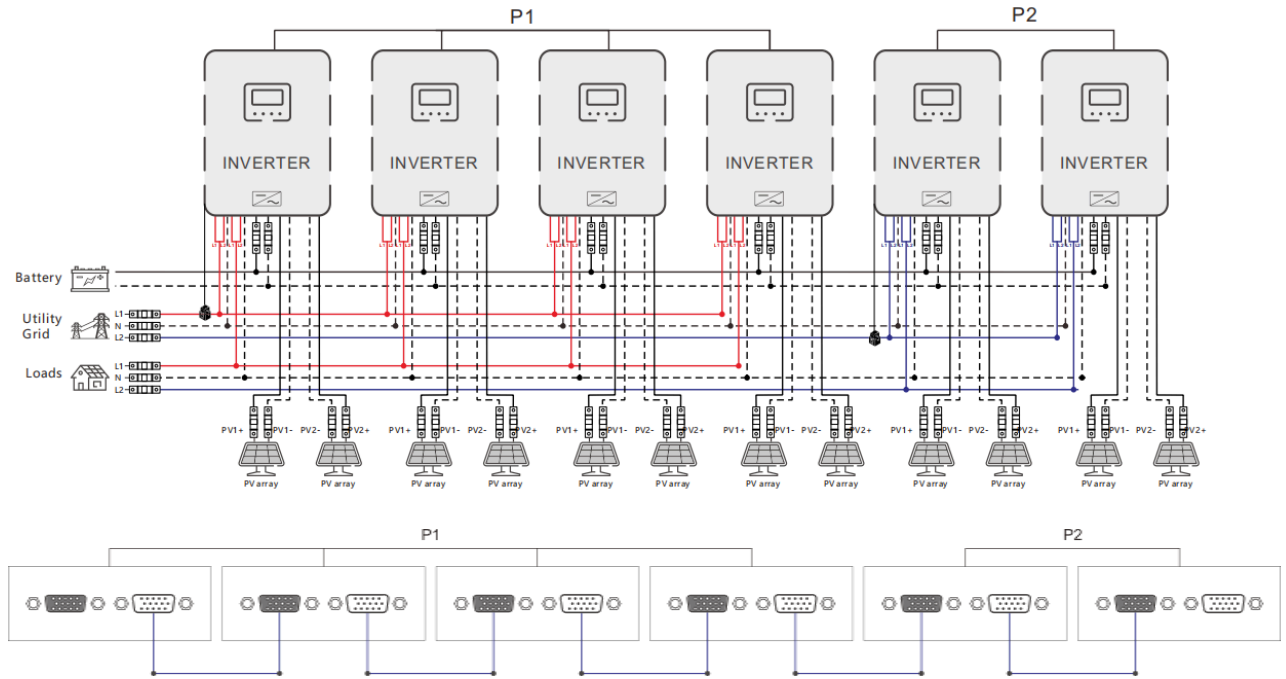
3+2 system:



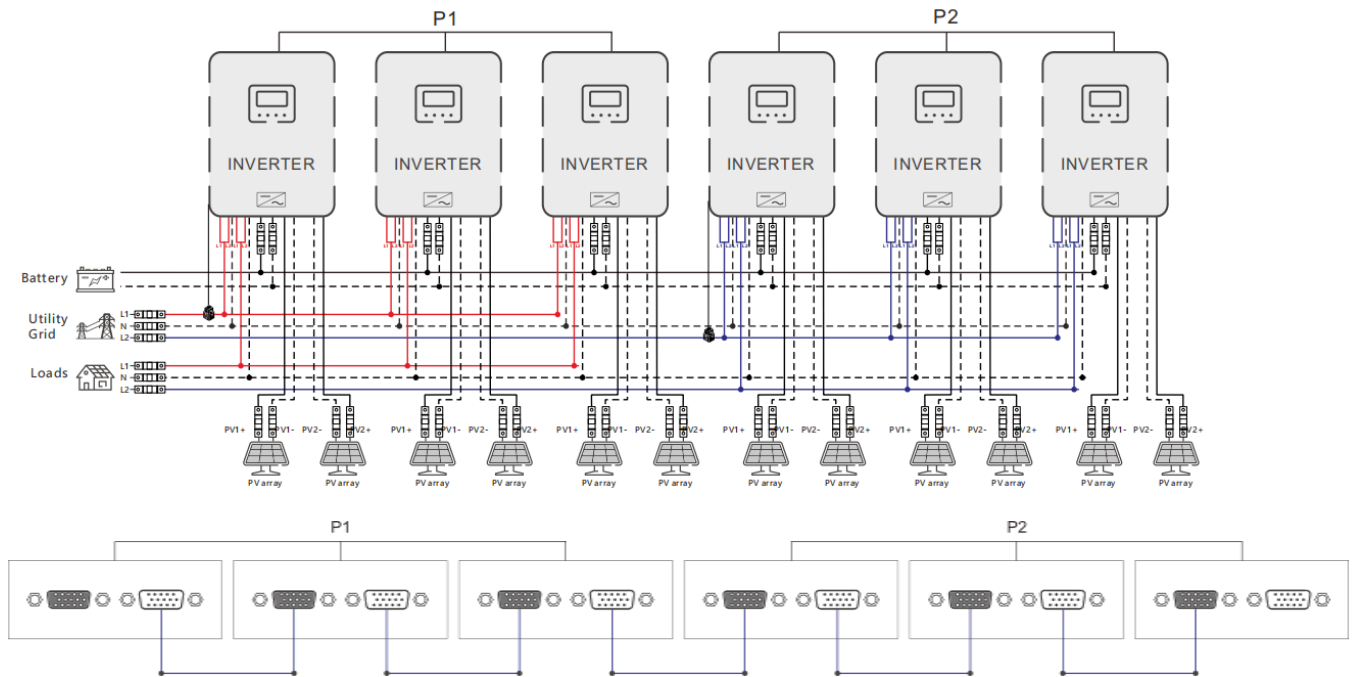
**d. Split-phase system (six inverters)
5+1 system:**



4+2 system:



3+3 system:

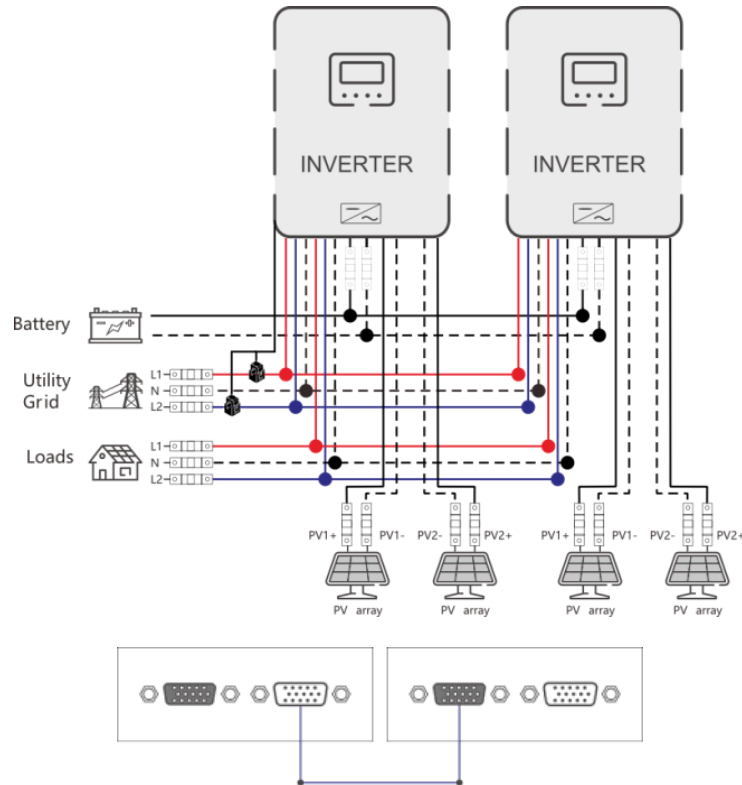


5.9.5 Wiring diagram for split-phase parallel connection

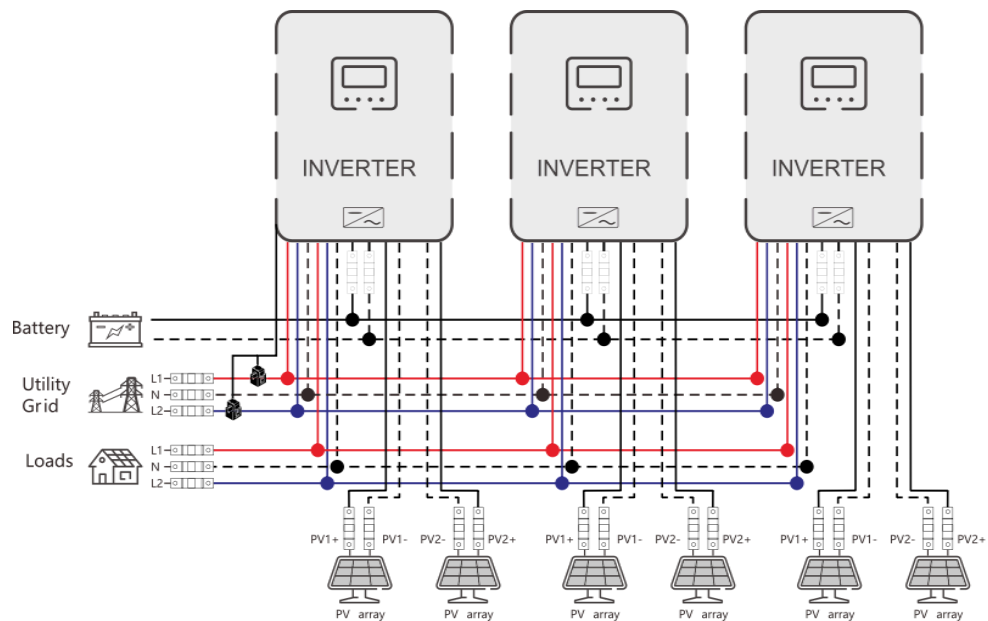
(phase difference between L1 and L2: 180°)

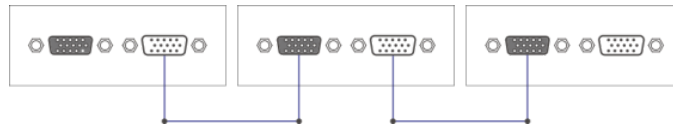
Set the item [31] to PAL, and set the item [68] to 180°. When setting the item [38] to "120 V," the L1-L2 voltage is 240 V, and the L1-N voltage is 120 V, L2-N voltage is 120V

a. Two parallel-connected solar storage inverters:

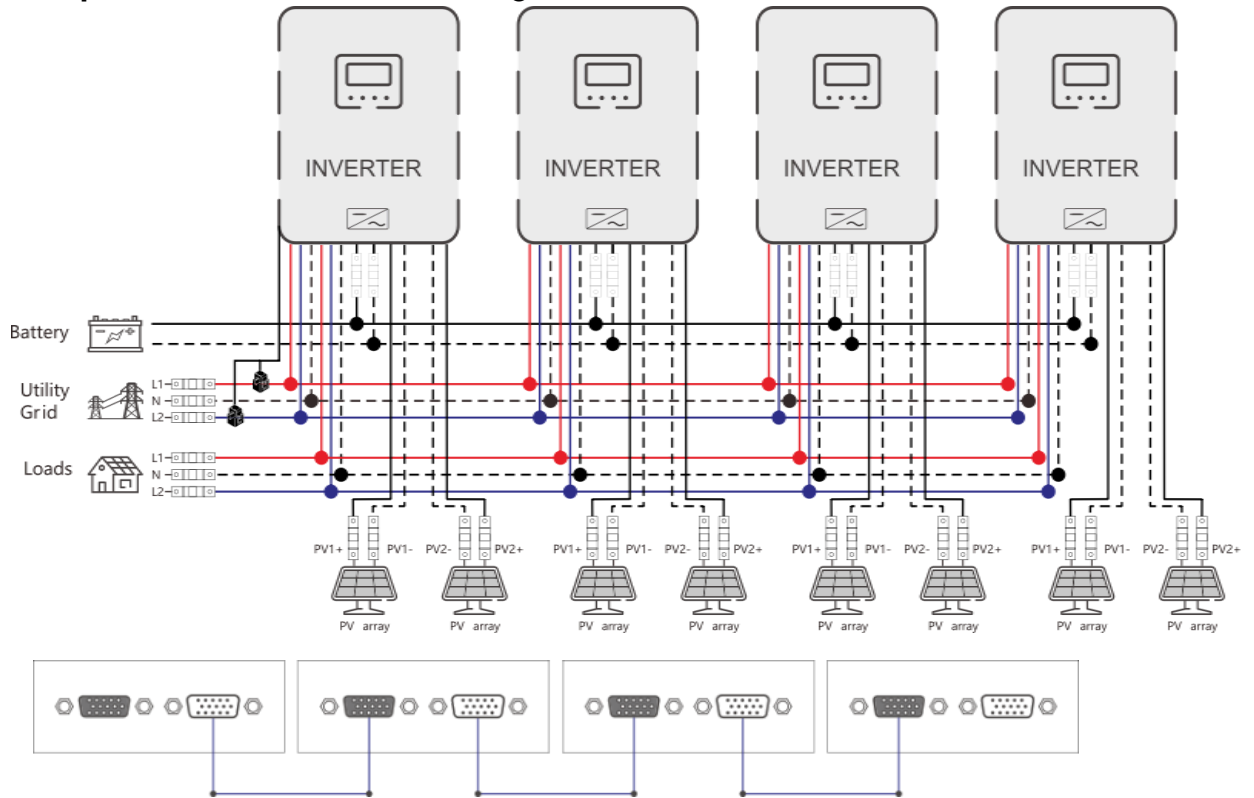


b. Three parallel-connected solar storage inverters:

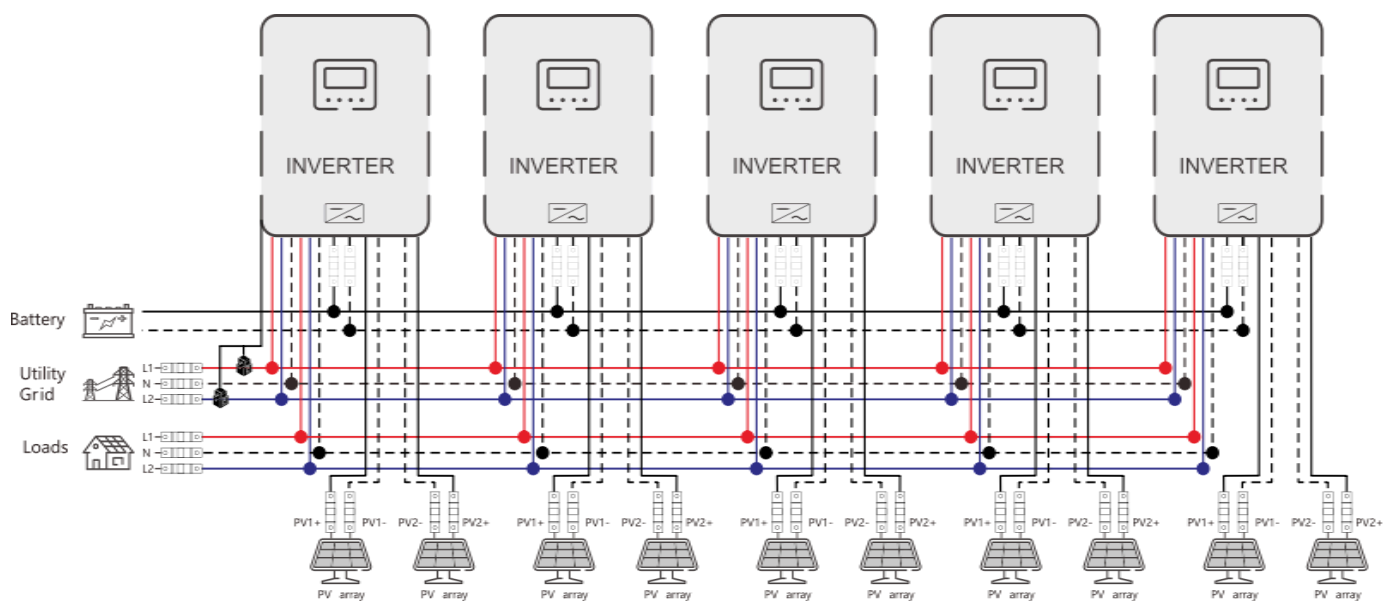


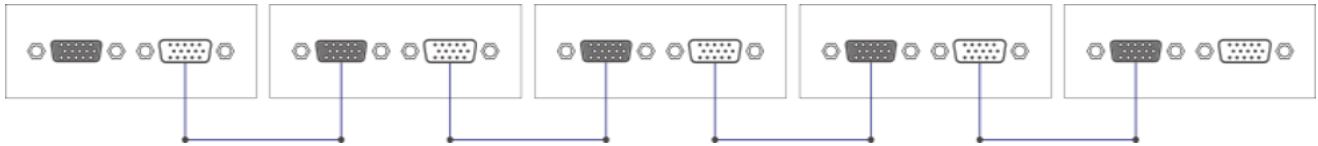


c. Four parallel-connected solar storage inverters:

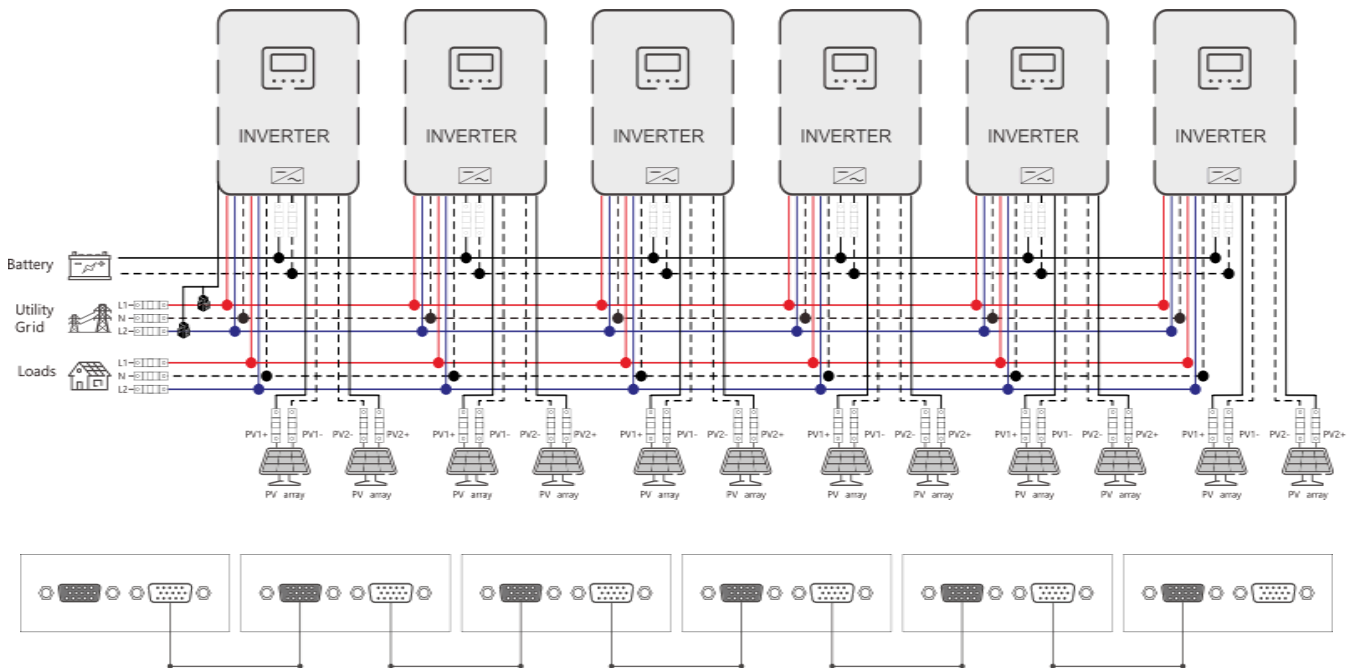


d. Five parallel-connected solar storage inverters:





e. Six parallel-connected solar storage inverters:



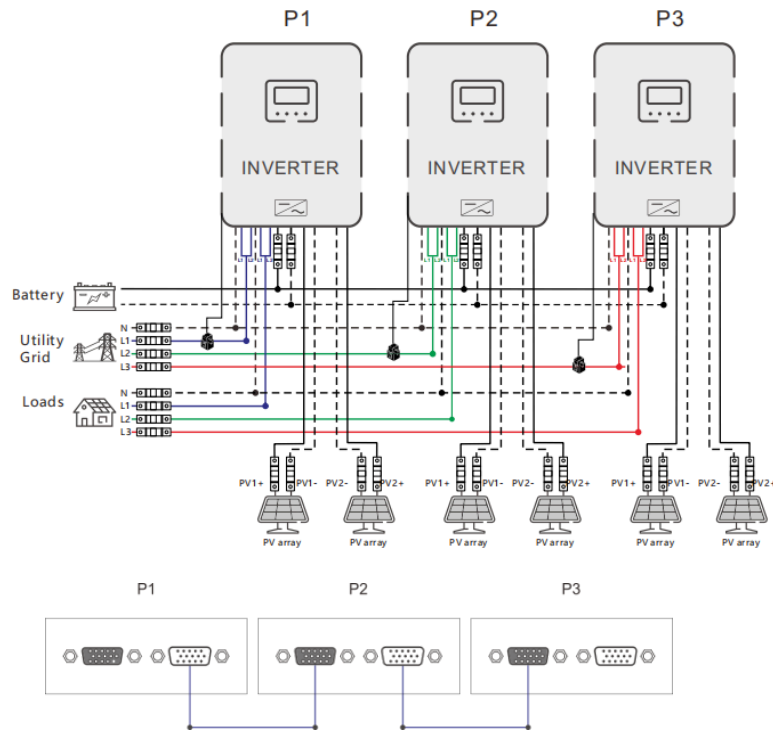
5.9.6 Wiring diagram for three-phase parallel connection

P1: Set the item [31] to "3P1;" P2: Set the item [31] to "3P2;" P3: Set the same to "3P3"
 , all of P1/P2/P3 inverters item [68] can not be set, it is default "0°"

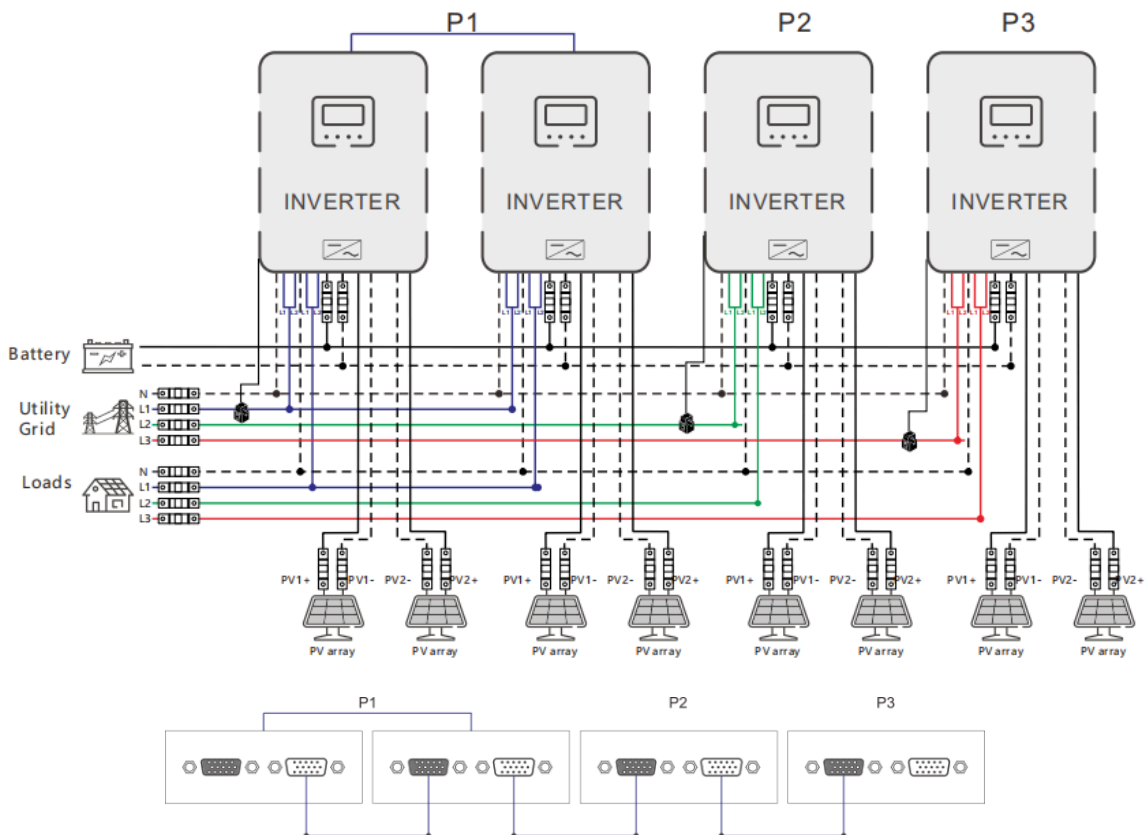
At this point, the P1-P2, P1-P3, and P2-P3 phase difference is 120°. When setting the item [38] to "120 VAC," the voltage between the live wire L1 of P1 phase and the live wire L2 of P2 phase is $120 \times 1.732 = 208$ VAC. Similarly, the L1-L3 and L2-L3 voltage is 208 VAC:

a. Three-phase system (three inverters)

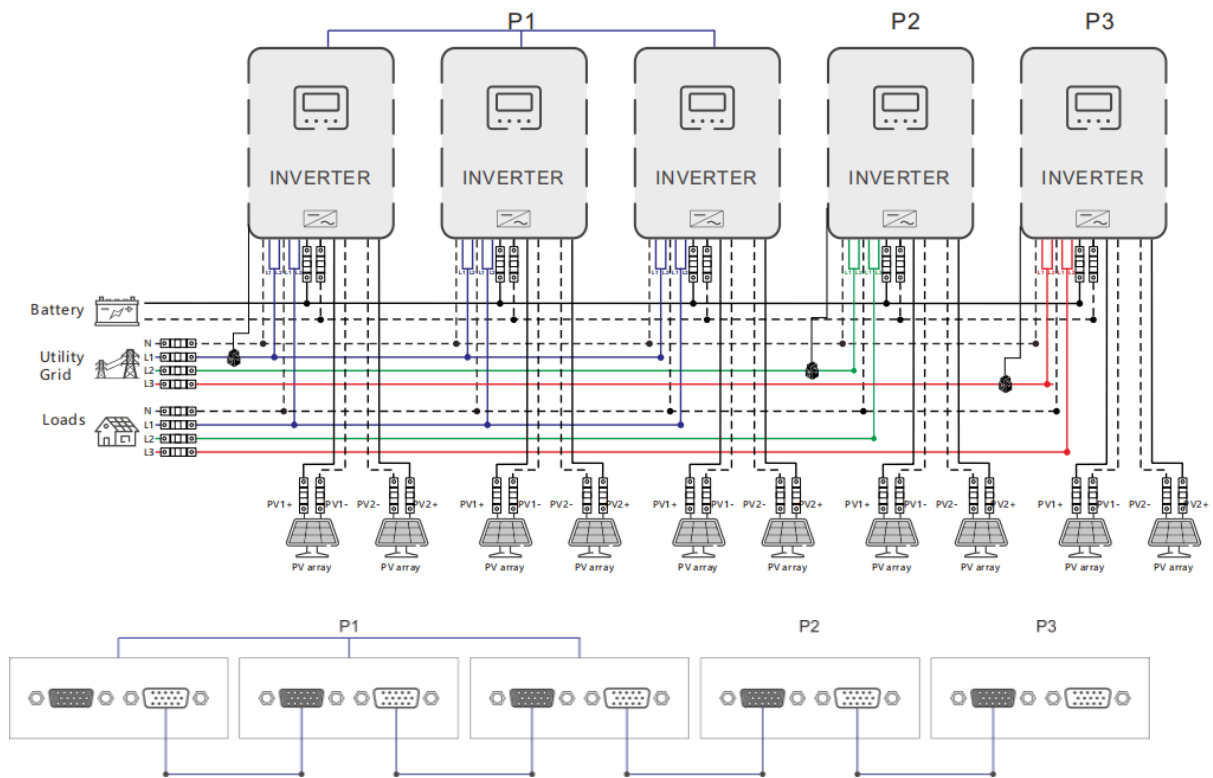
1+1+1 system:



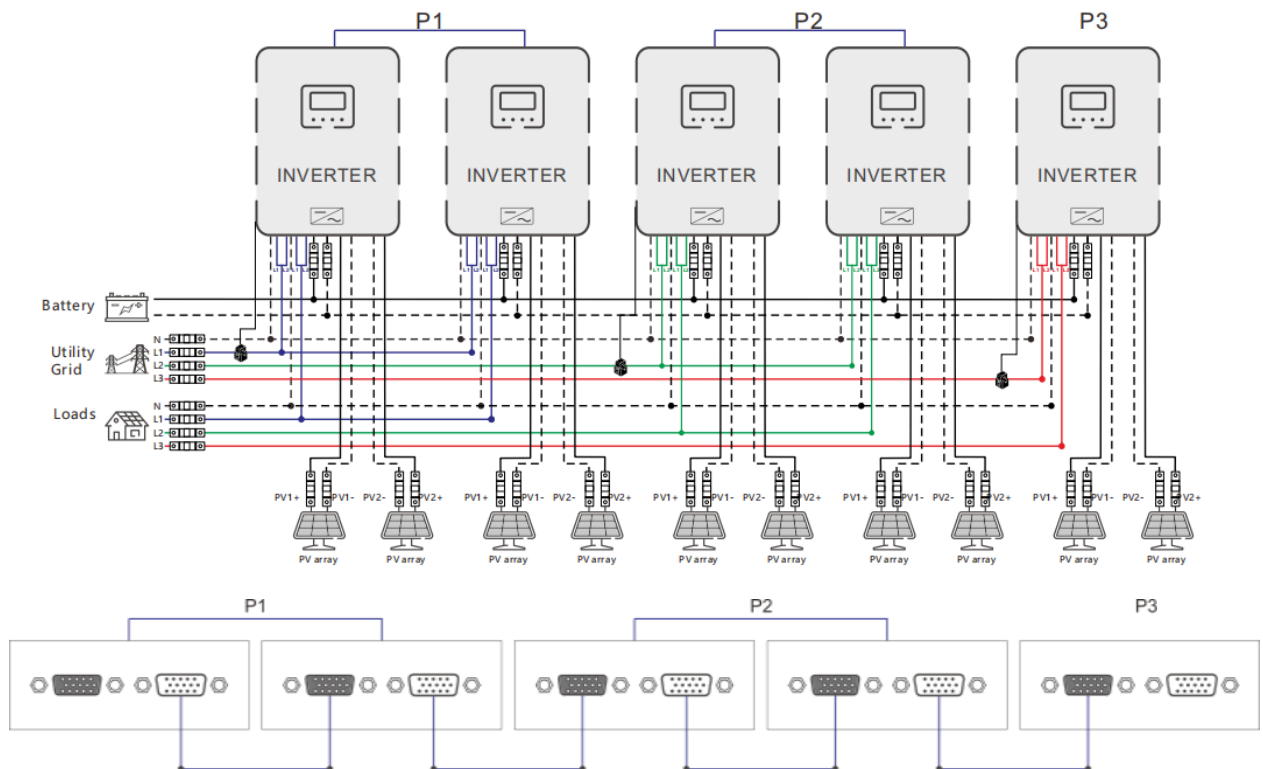
**b. Three-phase system (four inverters)
2+1+1 system:**



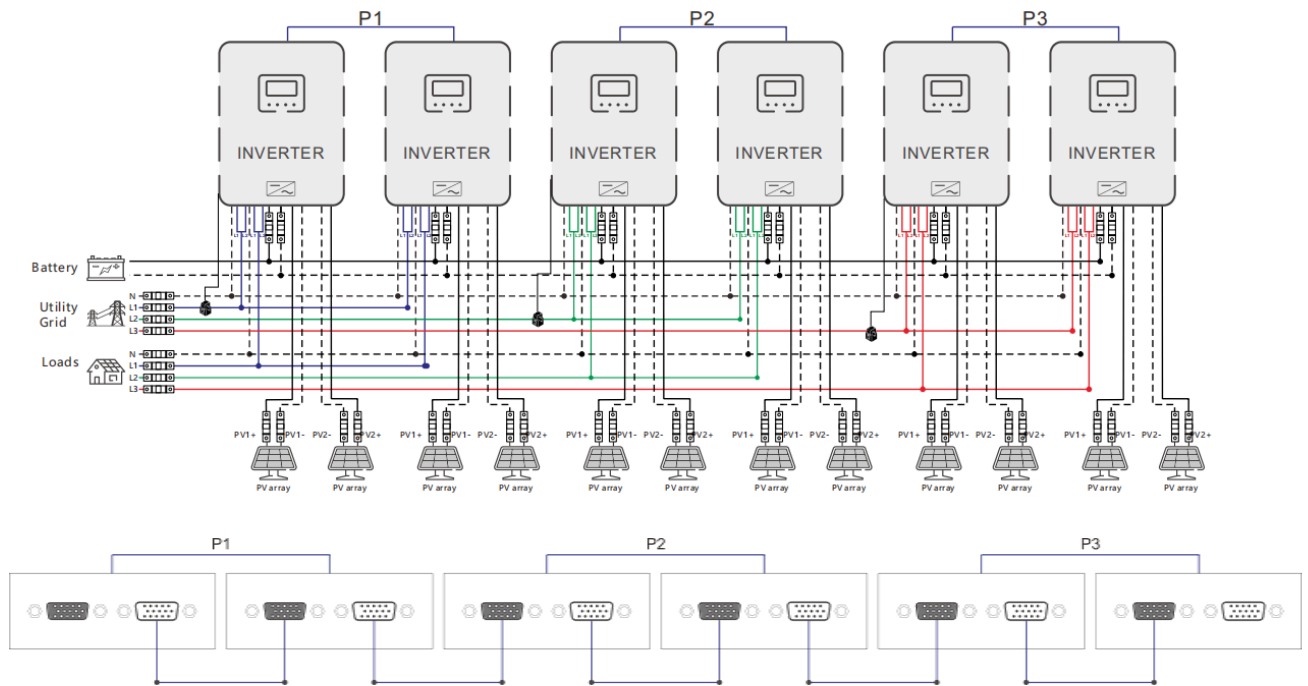
c. Three-phase system (five inverters)
3+1+1 system:



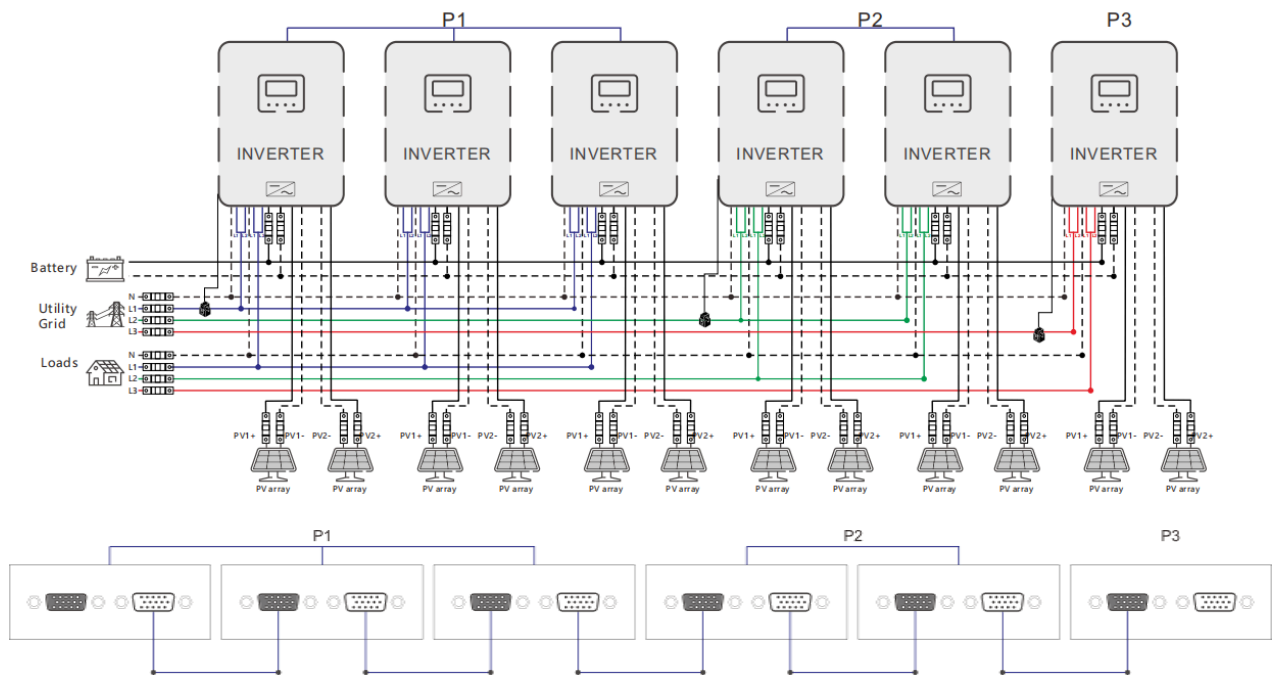
2+2+1 system:



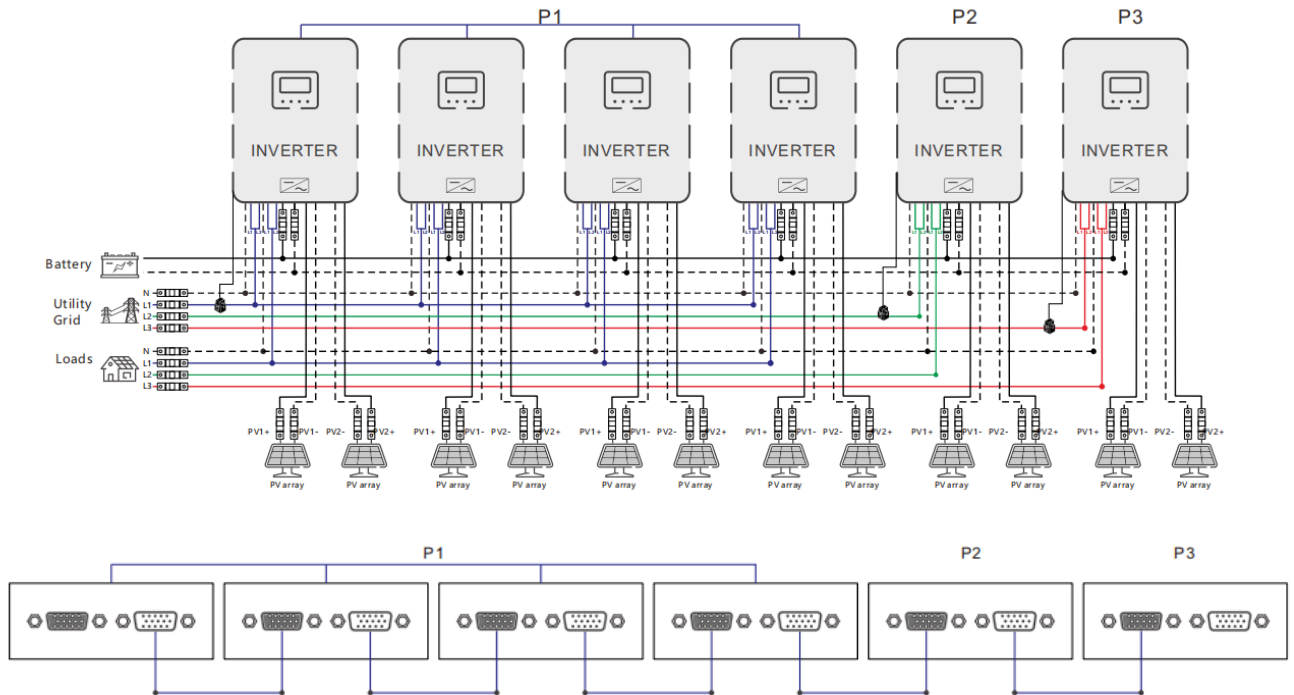
d. Three-phase system (six inverters)
2+2+2 system:



3+2+1 system:



4+1+1 system:



Note:

- 1) Before powering on and lighting up the screen, check for correct wiring according to the above wiring diagrams to avoid system problems.
- 2) Check all connections for firm fixing to avoid detachment and abnormal system operation.
- 3) When connecting the AC output to the load, complete wiring according to the requirements of the electrical load to avoid damage to the load.
- 4) Set the item [38] to the same parameter, or only set it in the host inverter. During parallel operation, the voltage set in the host shall prevail, so the host inverter will forcibly set the item to the value for slave inverters. Only in standby mode can the item be set.
- 5) The inverter defaults to single mode at the factory. If using the parallel or three-phase function, set the item [31] on the screen as follows:

Power on one inverter each time, turn off the other inverters, and then set the item [31] according to the on-site system operation mode. After setting the inverter,

turn off the inverter, and set the other inverters one by one. After all are set, power on all inverters at one time to enter the working state.

In single-phase parallel operation:

Set the item [31] to "PAL" and the item [68] to "0°." When setting the item [38] to "120 V," the output L-N voltage is 120 V

In two-phase parallel operation:

(1) P1: Set the item [31] to "2P0;" P2: Set the item [31] to "2P1," all of P1/P2 inverters item [68] can not be set, it is default "0°" and the phase difference between P1 and P2 is 120°. When setting the item [38] to "120 V," the voltage between the live wire L1 of P1 phase and the live wire L2 of P2 phase is 208 V, and the L1-N voltage is 120 V

(2) P1: Set the item [31] to "2P0;" P2: Set the item [31] to "2P2," all of P1/P2 inverters item [68] can not be set, it is default "0°" and the phase difference between P1 and P2 is 180°. When setting the item [38] to "120 V," the voltage between the live wire L1 of P1 phase and the live wire L2 of P2 phase is 240 V, and the L1-N voltage is 120 V

In split-phase parallel operation:

Set the item [31] to PAL, and set the item [68] to 180°. When setting the item [38] to "120 V," the L1-L2 voltage is 240 V, and the L1-N voltage is 120 V

In three-phase parallel operation:

P1: Set the item [31] to "3P1;" P2: Set the item [31] to "3P2;" P3: Set the same to "3P3" all of P1/P2/P3 inverters item [68] can not be set, it is default "0°"

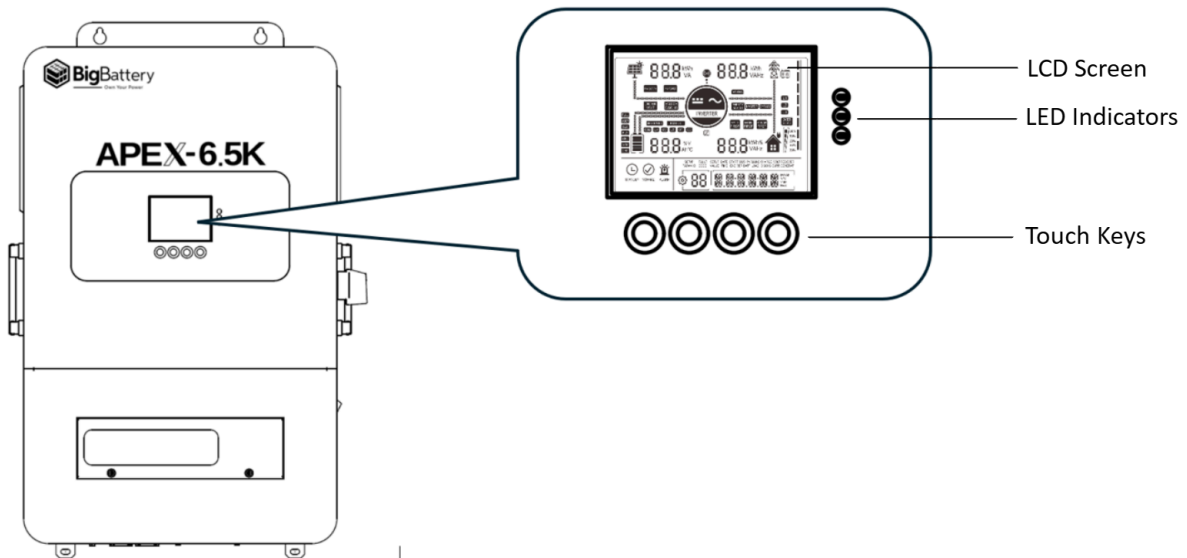
At this point, the P1-P2, P1-P3, and P2-P3 phase difference is 120°. When setting the item [38] to "120 VAC," the voltage between the live wire L1 of P1 phase and the live wire L2 of P2 phase is $120 \times 1.732 = 208$ VAC. Similarly, the L1-L3 and L2-L3 voltage is 208 VAC:

6) After the system runs, measure the correct output voltage before connecting to loads.





6. Operation

6.1 Operation and display panel

The operation and display panel of the inverter includes one LCD screen, three indicators, and four physical buttons



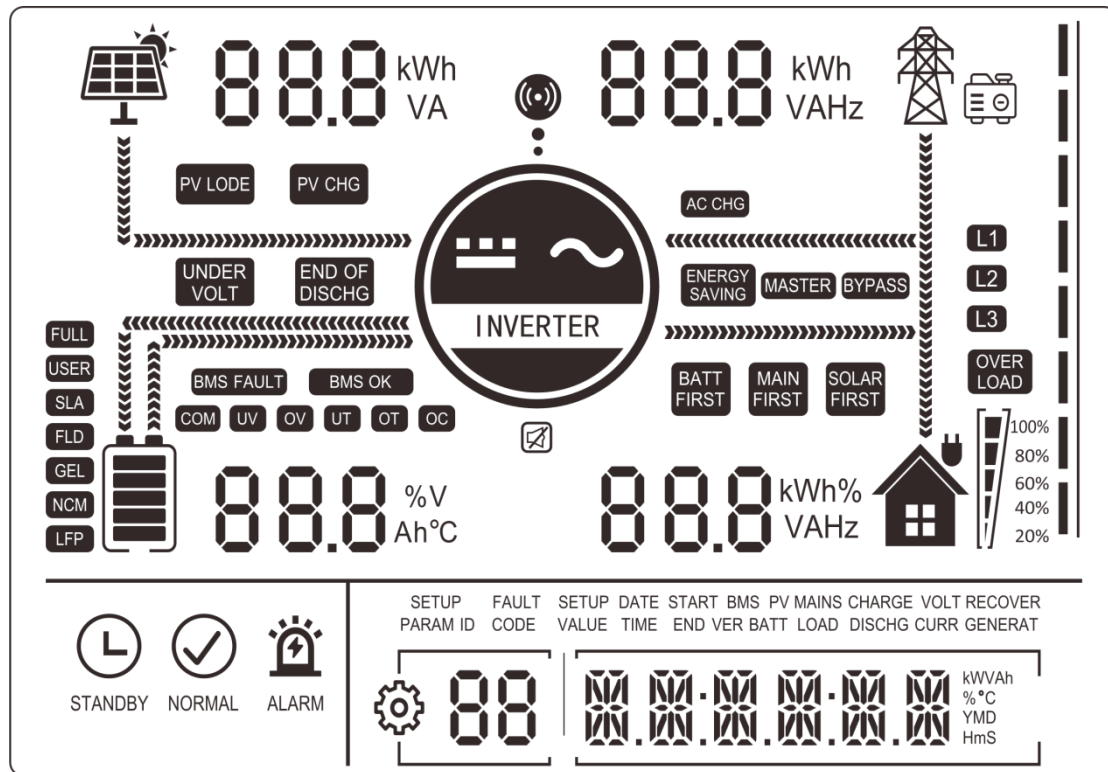
- Physical button




















| Physical button | Description |
|---|--|
|  | Enter/Exit the setup menu |
|  | Go to the next option |
|  | Go to the previous option |
|  | Confirm/Enter the option in setup menu |





- LED indicator

| Indicator | Color | Description |
|-----------|--------|---|
| AC/INV | Green | Normally ON: Grid bypass output |
| | | Flash: inverter output |
| CHARGE | Yellow | Normally ON: charging completed |
| | | Flash: charging |
| FAULT | Red | Normally ON: level-1 fault Flash: level-2 fault OFF: level-3 or level-4 fault |

● **Display screen**

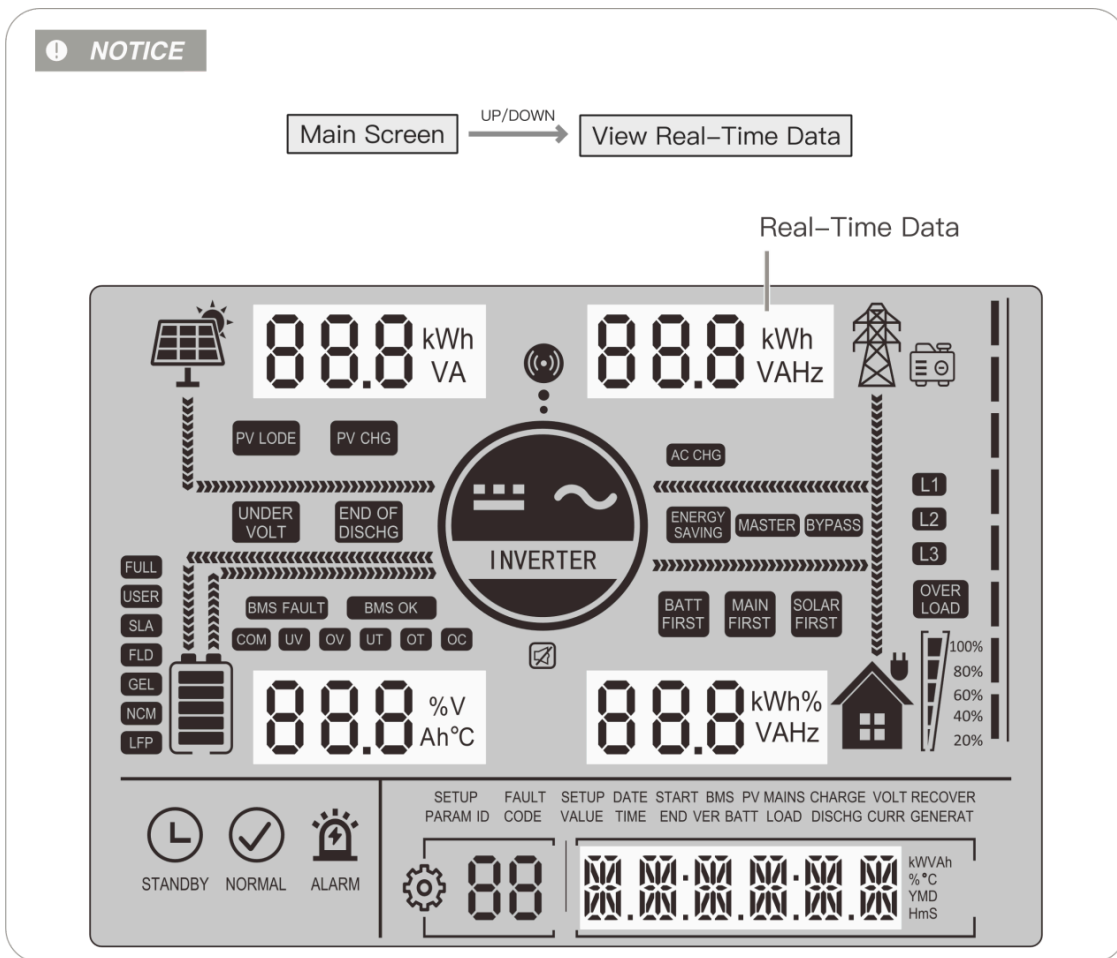


| Icon | Description | Icon | Description |
|---|---|---|----------------------------------|
|  | PV panel |  | Grid |
|  | Battery |  | Generator |
|  | The inverter is working |  | Load |
|  | The inverter is communicating with the data collector |  | The buzzer is in mute mode |
|  | Power flow direction | | |
|  | The inverter is in standby mode |  | The inverter is working normally |
|  | There is a fault |  | Settings |
|  | Load power: 80%-100% |  | SOC: 80%-100% |
|  | Load power: 60%-79% |  | SOC: 60%-79% |
|  | Load power: 40%-59% |  | SOC: 40%-59% |

| Icon | Description | Icon | Description |
|---|--|---|---|
|  | Load power: 20%-39% |  | SOC: 20%-39% |
|  | Load power: 5%-19% |  | SOC: 5%-19% |
| UNDER VOLT | Battery under-voltage | END OF DISCHG | Battery over-discharge |
| OVER LOAD | Overload | BMS FAULT | BMS fault |
| COM | System communication error | UV | System under-voltage |
| OV | System overvoltage | UT | Too low system temperature |
| OT | Too high system temperature | OC | System overcurrent |
| FULL | Battery full power | USER | User-defined battery |
| SLD | Sealed lead-acid battery | FLD | Flooded lead-acid battery |
| GEL | Gel lead-acid battery | NCM | Ternary Li-ion battery |
| LFP | LFP Li-ion battery | ECO | Energy-saving mode |
| PVLOAD | PV power is loading | PVCHG | PV power is charging the battery |
| ACCHG | AC input power is charging the battery | Grid FIRST | The output mode of the inverter is Grid first |
| BYPASS | The output mode of the inverter is Grid bypass | SOLAR FIRST | The output mode of the inverter is PV first |
| BATT FIRST | The output mode of the inverter is battery first | | |

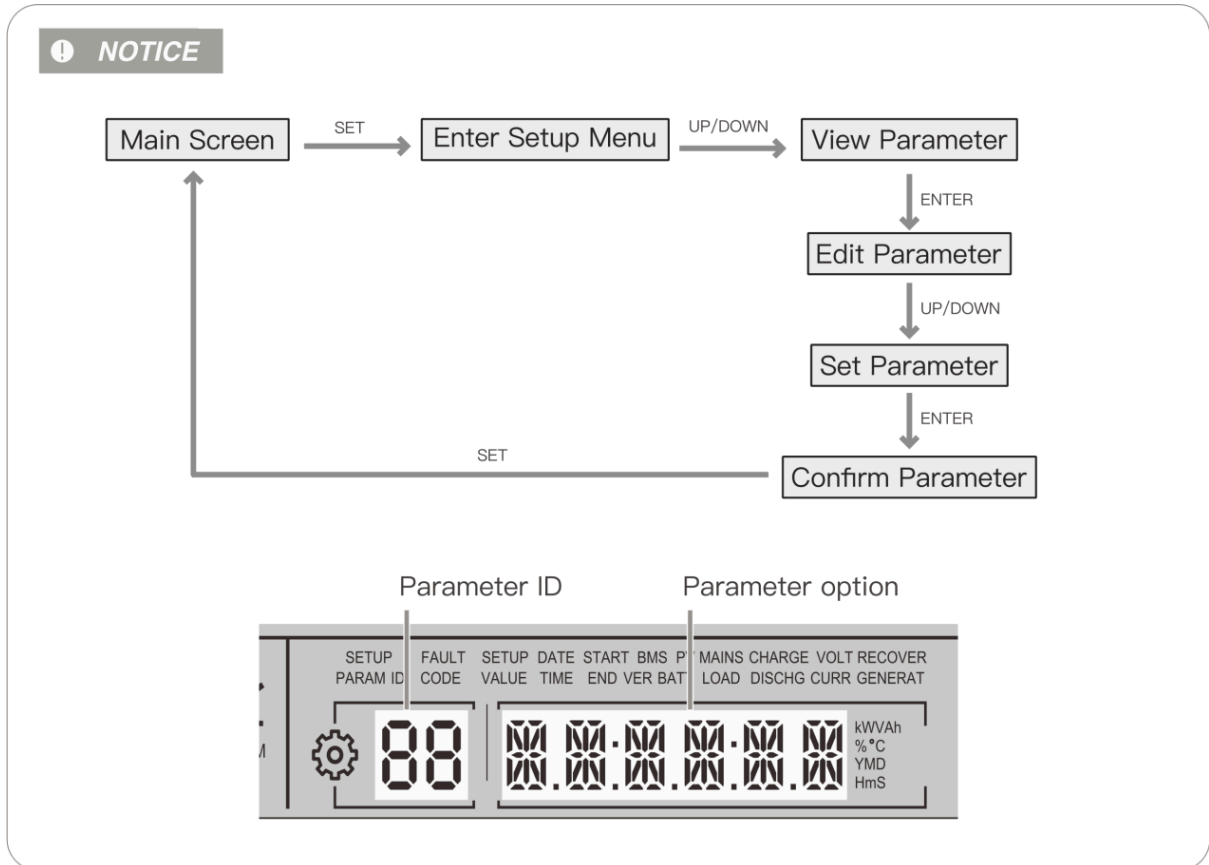
- **Real-time parameters view**

On the screen, press the UP/DOWN button to view real-time data of the inverter in operation



| Page | PV | Battery | AC input | Load | General |
|------|----------------------------|--------------------------------|------------------------------------|---------------------------------|------------------------|
| 1 | PV input voltage | Battery voltage | Grid input voltage | Single-phase voltage | Current time |
| 2 | PV input current | Battery current | Grid input current | Single-phase current | Current date |
| 3 | PV input power | Battery voltage | Grid total input power | Single-phase active power | PV gross generation |
| 4 | PV generation for the day | Battery current | Grid charging capacity for the day | Single-phase apparent power | Total load consumption |
| 5 | PV heat sink temperature | Heat sink temperature | Grid frequency | Inverter output frequency | RS485 address |
| 6 | Rated open circuit voltage | Rated battery voltage | Bus voltage | Rated output frequency | Software version |
| 7 | Maximum PV charge current | Maximum battery charge current | Maximum Grid charge current | Total output active power | / |
| 8 | | | / | Total output apparent frequency | / |

6.2 Setting



| ID | Parameter | Option | Description |
|---|--------------------|----------------|---|
| The voltage setting logic: 【15】<【12】<【04】<【14】<【35】<【37】<【05】<【09/11】 (When the battery communicate with inverter, the voltage setting is useless) | | | |
| 00 | Exit | ESC | Exit the setup menu |
| 01 | AC output mode | UTI (default) | Photovoltaic energy priority with the load, photovoltaic is not enough, the grid power and photovoltaic mixed load, photovoltaic energy is enough with the load, the excess energy to charge the battery, the grid power only starts charging when the battery is too discharged (06 Settings as" OSO(only PV) ", the grid power will not charge), the battery is only discharged when off the grid |
| | | SBU | Inverter first. The PV mode is to be applied first for loading, and only when the battery voltage is lower than the set value in the item 4, it will switch to the Grid mode for loading. When the battery voltage is higher than the set value in the item 5, it will switch back to the PV mode from the Grid mode. |
| | | SOL | The PV mode is to be applied first and when the PV power is unavailable or the battery voltage is lower than the set value in the item 4, it will switch to the Grid mode |
| | | SUB | Solar energy priority charging, insufficient solar energy, grid energy and solar energy hybrid charging (if 06 Settings as" OSO(only PV) ",the grid energy will not charge) and grid with load, when solar energy is enough to charge,excess energy not enough to load, excess solar energy and grid will hybrid load, the battery is discharged only when off the grid |
| 02 | AC input frequency | 50.0 | In bypass mode, the AC output frequency will adapt to the Grid frequency, and in other cases, the output will follow the preset value. |
| | | 60.0 (default) | |

| ID | Parameter | Option | Description |
|----|---|----------------|--|
| 03 | AC input voltage range | UPS (default) | When the output voltage is 120/110 V, the input voltage range is 90 V-140 V |
| | | APL | When the output voltage is 100/105 V, the input voltage range is 85 V-140 V |
| 04 | Battery to Grid voltage threshold | 43.6 (default) | When the parameter item 01 is SBU or SOL and the battery voltage is lower than the threshold, the output switches from inverter to Grid. Setting range: 40 V-52 V |
| 05 | Grid to battery voltage threshold | 57.6 (default) | When the parameter item 01 is SBU or SOL and the battery voltage is higher than the threshold, the output switches from Grid to inverter. Setting range: 48 V-60 V |
| 06 | Battery charge mode | SNU (default) | When both PV power and Grid are used to charge the battery at one time, the PV charge first and when the PV power is insufficient, the Grid tags in. Only in bypass mode can both PV power and Grid be used to charge the battery at one time, and only the PV charge mode can be enabled during inverter operation. |
| | | OSO | Do not enable the Grid charge mode when in only PV charge mode |
| 07 | Battery charge current | 60A | APEX 6.5kW setting range:0-140A |
| 08 | Battery type | USER | User-defined, and in this type, you can set all battery parameters |
| | | SLD | Sealed lead-acid battery |
| | | FLD | Flooded lead-acid battery |
| | | GEL (default) | Gel lead-acid battery |
| | | L14/L15/L16 | LFP battery L14/L15/L16, corresponding to 14, 15, and 16 series of LFP batteries |
| | | N13/N14 | Ternary Li-ion battery N13/N14, corresponding to 13 and 14 series of ternary Li-ion batteries |
| | | NOb | No battery |
| 09 | Battery boost charge voltage | 56.8 | Setting range: 48 V-58.4 V, with a step of 0.4 V, available for user-defined and lithium-ion battery types |
| 10 | Boost charge duration | 120 | The continuous charging time when the voltage reaches the set voltage during constant voltage charging, with a setting range of 5 min-900 min and a step of 5 min |
| 11 | Battery floating charge voltage | 55.2 | Setting range: 48 V-58.4 V, with a step of 0.4 V. This parameter cannot be set after successful BMS communication |
| 12 | Battery over-discharge voltage (delayed shutdown) | 42 | When the battery voltage is lower than the voltage and triggers the set value in item 13, it will turn off the inverter output. Setting range: 40 V-48 V, with a step of 0.4 V |
| 13 | Battery over-discharge delay time | 5 | When the battery voltage is lower than the set value in the item 12 and triggers the delay time set in this parameter item, it will turn off the inverter output. Setting range: 5s-50s, with a step of 5s |
| 14 | Battery under-voltage alarm threshold | 44 | When the battery voltage is lower than the threshold, it will give an under-voltage alarm and the output will not shut down. Setting range: 40 V-52 V, with a step of 0.4 V |
| 15 | Battery discharge limit voltage | 40 | When the battery voltage is lower than the value, the output immediately shuts down. Setting range: 40 V-52 V, with a step of 0.4 V, available for user-defined and Li-ion batteries |
| 16 | Battery equalizing charge | DIS(default) | Disable equalizing charge |

| ID | Parameter | Option | Description |
|----|--|--|---|
| | | ENA | Enable equalizing charge, but only available for flooded lead-acid batteries, sealed lead-acid batteries, and user-defined ones |
| 17 | Equalizing charge voltage | 58 | Setting range: 48 V–58 V, with a step of 0.4 V, but only available for flooded lead-acid batteries, sealed lead-acid batteries, and user-defined ones |
| 18 | Equalizing charge duration | 120 | Setting range: 5 min–900 min, with a step of 5 min, but only available for flooded lead-acid batteries, sealed lead-acid batteries, and user-defined ones |
| 19 | Equalizing charge delay time | 240 | Setting range: 5 min–900 min, with a step of 5 min, but only available for flooded lead-acid batteries, sealed lead-acid batteries, and user-defined ones |
| 20 | Equalizing charge interval | 30 | Setting range: 0 day–30 days, with a step of 1 day, but only available for flooded lead-acid batteries, sealed lead-acid batteries, and user-defined ones |
| 21 | Equalizing charge Enable/Disable | DIS (default) | Stop equalizing charge immediately |
| | | ENA | Start equalizing charge immediately |
| 22 | Energy-saving mode | DIS (default) | Disable energy-saving mode |
| | | ENA | Enable energy-saving mode, and when the load power is below 50 W, it will turn off the inverter output after a 5-minute delay. When it exceeds 50 W, the inverter will automatically restart. |
| 23 | Overload auto restart | DIS | Disable overload auto restart and when overload occurs, it will turn off the output and the inverter will no longer resume startup |
| | | ENA (default) | Enable overload auto restart, and If overload occurs, the output will be turned off, and after a delay of 3 min, the output will restart. After 5 cumulative attempts, the inverter will no longer resume startup |
| 25 | Buzzer alarm | DIS | Disable buzzer alarm |
| | | ENA (default) | Enable buzzer alarm |
| 26 | Mode switch prompt | DIS | Disable prompt when the status of the main input source changes |
| | | ENA (default) | Enable prompt when the status of the main input source changes |
| 27 | Inverter to bypass switch | DIS | Disable auto switch to Grid for loading in case of inverter overload |
| | | ENA (default) | Enable auto switch to Grid for loading in case of inverter overload |
| 28 | Grid charge current | 60A | APEX 6.5kW setting range:0-80A |
| 30 | RS485 communication address | ID: 1 | Setting range: 1–254 |
| 31 | Parallel mode (When the rocker switch is off can be set) | SIG (default) | Single inverter operation |
| | | PAL | Parallel operation |
| | | 2P0/2P1/2P2 | Two-phase parallel operation |
| | | Set to "2P0" for the machine screens connected to P1 Assuming that the output voltage of the setting item [38] is set to 120 VAC 1) When all the inverters connected to P2 are set to "2P1" on the screen, the voltage phase difference between P1 and P2 is 120°, the voltage between the live wire L1 of phase-P1 and the live wire L2 of phase-P2 is 120*1.732=208 VAC, and the voltage of L1-N and L2-N is 120 VAC. 2) When all the inverters connected to P2 are set to "2P2" on the screen, the voltage phase difference between P1 and P2 is 180°, the voltage between the live wire L1 of phase-P1 and the live wire L2 of phase-P2 is 120*2=240 VAC, and the | |

| ID | Parameter | Option | Description |
|----|---|-----------------|--|
| | | | voltage of L1-N and L2-N is 120 VAC. |
| | | 3P1/3P2/3P 3 | Three-phase parallel operation |
| | | | Set to "3P1" on the screen for all the inverters connected to P1; set to "3P2" on the screen for all the inverters connected to P2; and set to "3P3" on the screen for those connected to P3. 1) Assuming that the output voltage of the setting item [38] is set to 120 VAC: then the voltage phase difference of P1-P2, P1-P3, and P2-P3 is 120°, the voltage between the live wire L1 of phase-P1 and the live wire L2 of phase-P2 is 120*1.732=208 VAC, and similarly the voltage of L1-L3 and L2-L3 is 208 VAC; the voltage of L1-N, L2-N, and L3-N is 120 VAC. |
| 32 | RS485 communication function | DIS (default) | Enable PC and Remote Monitoring Protocol |
| | | 485 | Enable the BMS communication function based on RS485 communication |
| | | CAN | Enable the BMS communication function based on CAN communication |
| 33 | BMS communication | | Select the corresponding communication protocol in item 33 when you set it to 485 or CAN in item 32 |
| | | | LUX = BigBattery/EG4, PAC = PACE, RDA = Ruida, AOG = Aoguan, OLT = Oliter, HWD = Sunwoda, DAQ = Daqin, WOW = SRNE, PYL = Pylontech, UOL = Vilion |
| 34 | Limit power to CT (optional) | DIS (default) | Disable this function |
| | | Home load | solar energy can be supplied to the home load that is connected to the grid, excess energy will not be fed to the grid. |
| 35 | Battery under-voltage recovery threshold | 52 | When the battery is under voltage, the battery voltage needs to be greater than the threshold to restore the AC output of the battery inverter. Setting range: 44 V-54.4 V |
| 37 | Recharge voltage threshold for fully charged battery | 52 | After the battery is fully charged, the inverter stops charging, and recovers when the battery voltage is lower than the threshold. Setting range: 44 V-54 V |
| 38 | AC output voltage (When the rocker switch is off can be set) | 120 | Setting range: 100/105/110/120 /127VAC If users change the voltage,the output power will be changed. APEX 6.5kW: 5.4kw/5.6kw/5.9kw/6.5kw/6.8kw |
| 39 | Charge current limit (when BMS works) | LCSET | The maximum battery charge current is not greater than the set value of [item 07] |
| | | LCBMS (default) | The maximum battery charge current is not greater than the maximum value of BMS |
| | | LCINV | The maximum battery charge current is not greater than the logical judgment value of inverter |
| 40 | Period-1 battery charge start time | 00:00:00 | Setting range: 00:00:00-23:59:00 |
| 41 | Period-1 battery charge end time | 00:00:00 | Setting range: 00:00:00-23:59:00 |
| 42 | Period-2 battery charge start time | 00:00:00 | Setting range: 00:00:00-23:59:00 |
| 43 | Period-2 battery | 00:00:00 | Setting range: 00:00:00-23:59:00 |

| ID | Parameter | Option | Description |
|----|--|---------------|--|
| | charge end time | | |
| 44 | Period-3 battery charge start time | 00:00:00 | Setting range: 00:00:00–23:59:00 |
| 45 | Period-3 battery charge end time | 00:00:00 | Setting range: 00:00:00–23:59:00 |
| 46 | Timed battery charge function | DIS (default) | Disable the function |
| | | ENA | After the timed Grid charge/loading function is enabled, the power supply mode will turn into SBU, where Grid is available for power supply in the set period or after battery over-discharge. If the timed discharge function is enabled at the same time, the power supply mode of the system will be changed into UTI, where Grid is only available for power supply in the set charge period, and the system only switches to the power supply of battery inverter during the set discharge period or Grid failure |
| 47 | Period-1 battery discharge start time | 00:00:00 | Setting range: 00:00:00–23:59:00 |
| 48 | Period-1 battery discharge end time | 00:00:00 | Setting range: 00:00:00–23:59:00 |
| 49 | Period-2 battery discharge start time | 00:00:00 | Setting range: 00:00:00–23:59:00 |
| 50 | Period-2 battery discharge end time | 00:00:00 | Setting range: 00:00:00–23:59:00 |
| 51 | Period-3 battery discharge start time | 00:00:00 | Setting range: 00:00:00–23:59:00 |
| 52 | Period-3 battery discharge end time | 00:00:00 | Setting range: 00:00:00–23:59:00 |
| 53 | Timed battery discharge function | DIS (default) | Disable the function |
| | | ENA | After the timed battery discharge function is enabled, the power supply mode will be changed into UTI, where the system only switches to the power supply of battery inverter during the set discharge period or Grid failure |
| 54 | Current date | 00:00:00 | Year/Month/Day Setting range: 00:01:01–99:12:31 |
| 55 | Current time | 00:00:00 | Setting range: 00:00:00–23:59:59 |
| 56 | Leakage current protection enable | DIS(default) | Disable leakage current protection |
| | | ENA | Enable leakage current protection |
| 57 | Charge stop current | 3 | The charge stops when the charge current is less than the set value (unit: A) |
| 58 | SOC setting for discharge alarming | 15 | When the capacity is less than the set value, the SOC alarms (unit: %, only available during normal BMS communication) |
| 59 | SOC setting for discharge cutoff | 5 | When the capacity is less than the set value, the discharge stops (unit: %, only available during normal BMS communication) |
| 60 | SOC setting for charge cutoff | 100 | When the capacity is greater than the set value, the charge stops (unit: %, only valid during normal BMS communication) |
| 61 | SOC setting for switching to Grid | 10 | When the capacity is less than the set value, it switches to Grid (unit: %, only available during normal BMS communication) |
| 62 | SOC setting for switching to inverter output | 100 | When the capacity is greater than the set value, it switches to the inverter output mode (unit: %, only available during normal BMS communication) |

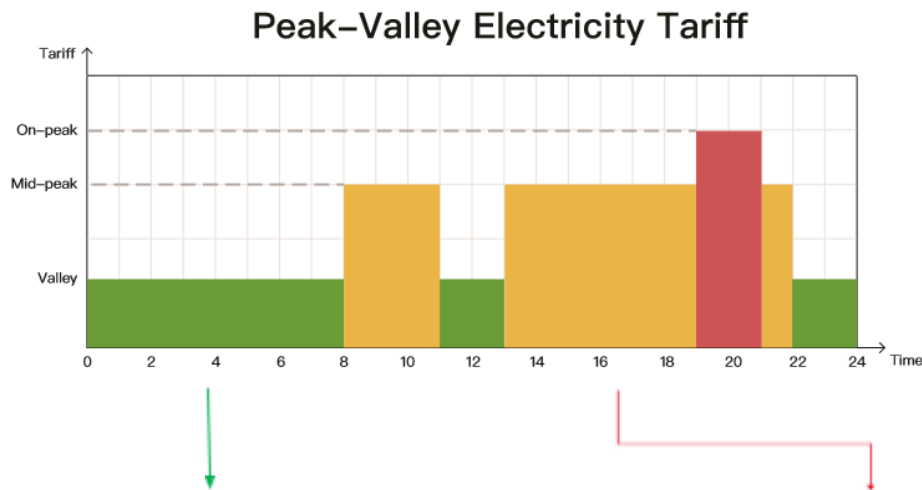
| ID | Parameter | Option | Description |
|----|---|---------------|---|
| 63 | Auto N-PE connection switch function | DIS (default) | Disable auto N-PE connection switch |
| | | ENA | Enable auto N-PE connection switch |
| 68 | AC output phase mode (When the rocker switch is off can be set) | 0 | 0 represents the single-phase mode Assuming that the AC output voltage of item 38 is 120 V, the phase difference of L1-L2 is 0°, and L1/L2 can be connected in parallel, the phase voltage of L1-N/L2-N is 120 V |
| | | 180 (default) | 180 represents the split-phase mode Assuming that the AC output voltage of item 38 is 120 V, the phase difference of L1-L2 is 180°, the phase voltage of L1-N/L2-N is 120 V, and the voltage of L1-L2 is 240 V |
| | | NO N | Without N-wire(When you set "No N",the phase difference is 180° default) |
| 73 | Max charging current by generator | 40A | APEX 6.5kW setting range:0-80A |
| 74 | Generator input power | 6KW | setting range:0-10KW |
| 75 | Temperature Compensation | DIS(default) | Disable this function |
| | | ENA | Enable this function, when customers install the temperature sampling sensor. |
| 76 | CT ratio (optional) | 2000 | When connecting an external CT, enter the current ratio according to CT specification. |
| 77 | Anti-reflux Error calibration power | 100W | Setting range 0-500w |
| 78 | Battery hybrid discharge current | 100A(default) | When the battery and grid hybrid load, set the battery discharging current. |
| 79 | AFCI check (optional) | 0 | The value range is 0~100 0 means disable the function, the value means the AFCI detection threshold, the value is lower, the detection is more sensitive |
| 80 | AFCI fault manually clear (optional) | IGNORE | Ignore the AFCI fault report |
| | | CLEAR | Clear the AFCI fault |

6.3 Timed charge/discharge function

APEX series has the timed power charge/discharge function. Users can set different charge and discharge periods according to the local time-of-use price, thus reasonably using Grid and PV power. When Grid is expensive, the battery inverter is used to supply power to the load; when Grid is cheap, it can be used to supply power to and charge the load, thus helping users reduce electricity expenses to the full extent. Users can turn on/off the timed charge/discharge function in items 46 and 53 in the setup menu, and set charge and discharge periods in parameters 40–45 and 47–52.

The following is an example to help users understand the function.

Before using the function for the first time, please set the local time and date in parameters 54 and 55, and then you can set corresponding periods based on the local time-of-use price.



Timed charge and loading function



With 3 definable periods, users can freely set the Grid charge/loading period in the range of 00:00–23:59. During the period set by the user, in case of PV energy output, it will be used first; in case of no PV energy output or lack of PV energy, Grid will be used as a supplement.

Timed battery discharge function



With 3 definable periods, users can freely set the battery discharge period in the range of 00:00–23:59. During the period set by the user, the inverter will first use the battery inverter to load; if the battery power is insufficient, the inverter will automatically switch to Grid to ensure stable operation of the load.

6.4 Battery parameters

- Lead-acid battery

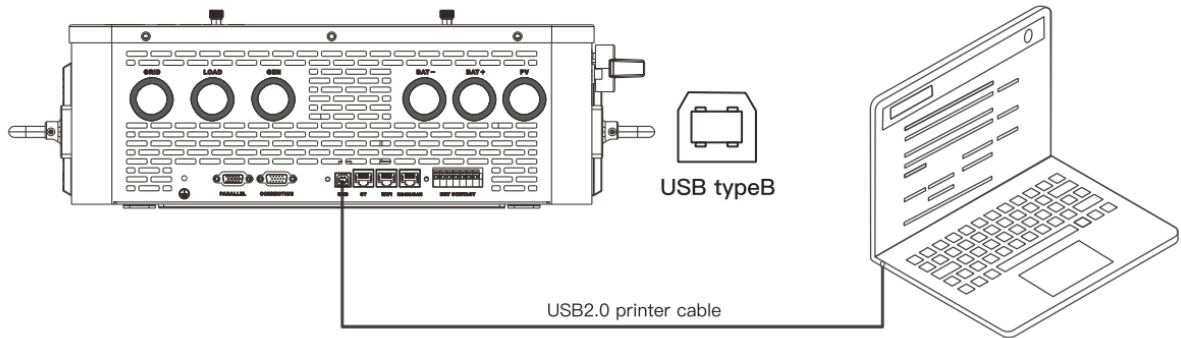
| Battery type Parameters | Sealed lead acid battery (SLD) | Gel lead acid battery (GEL) | Flooded lead acid battery (FLD) | User-defined (USE) | Adjustable |
|--|---------------------------------|-----------------------------|---------------------------------|--------------------|------------|
| Overvoltage disconnection voltage | 60V | 60V | 60V | 60V | |
| Battery fully charged recovery point | 52V | 52V | 52V | 52V | √ |
| Boost charge voltage | 57.6V | 56.8V | 57.6V | 40~60V | √ |
| Undervoltage alarm voltage([01] fault) | 44V | 44V | 44V | 40~60V | √ |
| Undervoltage alarm voltage recovery point([01] fault) | Undervoltage alarm voltage+0.8V | | | | |
| Low voltage disconnection voltage([04] fault) | 42V | 42V | 42V | 40~60V | √ |
| Low voltage disconnection voltage recovery point ([04] fault)(setup item [35]) | 52V | 52V | 52V | 52V | √ |
| Discharge limit voltage | - | - | - | 40~60V | √ |
| Over-discharge delay time | 5s | 5s | 5s | 1~30s | √ |
| Boost charge duration | - | - | - | 10~900 minutes | √ |

- **Li-ion battery**

| Battery type Parameters | Ternary (N13) | Ternary (N14) | LFP (L16) | LFP (L15) | LFP (L14) | Adjustable |
|--|---------------------------------|------------------|-------------|--------------|--------------|------------|
| Overvoltage disconnection voltage | 60V | 60V | 60V | 60V | 60V | |
| Battery fully charged recovery point | 50.4V | 54.8V | 53.6V | 50.4V | 47.6V | √ |
| Equalizing charge voltage | - | - | - | - | - | √ |
| Boost charge voltage | 53.2V | 57.6V | 56.8V | 53.2V | 49.2V | √ |
| Undervoltage alarm voltage([01] fault) | 43.6V | 46.8V | 49.6V | 46.4V | 43.2V | √ |
| Undervoltage alarm voltage recovery point([01] fault) | Undervoltage alarm voltage+0.8V | | | | | |
| Low voltage disconnection voltage([04] fault) | 38.8V | 42V | 48.8V | 45.6V | 42V | √ |
| Low voltage disconnection voltage recovery point ([04] fault)(setup item [35]) | 46V | 49.6V | 52.8V | 49.6V | 46V | √ |
| Discharge limit voltage | 36.4V | 39.2V | 46.4V | 43.6V | 40.8V | √ |
| Over-discharge delay time | 30s | 30s | 30s | 30s | 30s | √ |
| Boost charge duration | 120 minutes | 120 minutes | 120 minutes | 120 minutes | 120 minutes | √ |

7. Communication

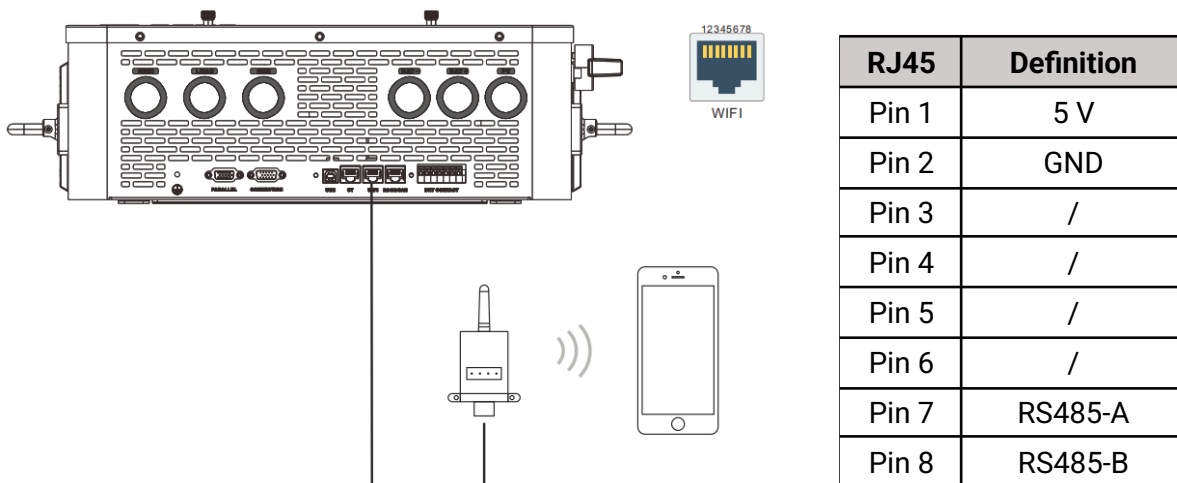
7.1 USB-B port



Users can use the upper computer software through the port to read and modify device parameters. If users need the installation package for the upper computer software, you can download it from the official website, or contact us to get it.

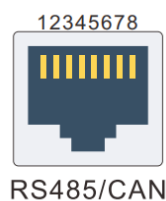
7.2 WIFI port

The WIFI port is used to connect to the Wi-Fi/GPRS data acquisition module, and then users can view the operation status and parameters of the inverter via the mobile APP.

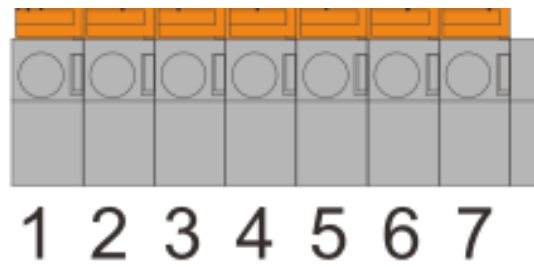


7.3 RS485/CAN port

The RS485/CAN port is used to connect to the BMS of the Li-ion battery.



| RJ45 | Definition |
|-------|------------|
| Pin 1 | RS485-B |
| Pin 2 | RS485-A |
| Pin 3 | / |
| Pin 4 | CANH |
| Pin 5 | CANL |
| Pin 6 | / |
| Pin 7 | RS485-A |
| Pin 8 | RS485-B |

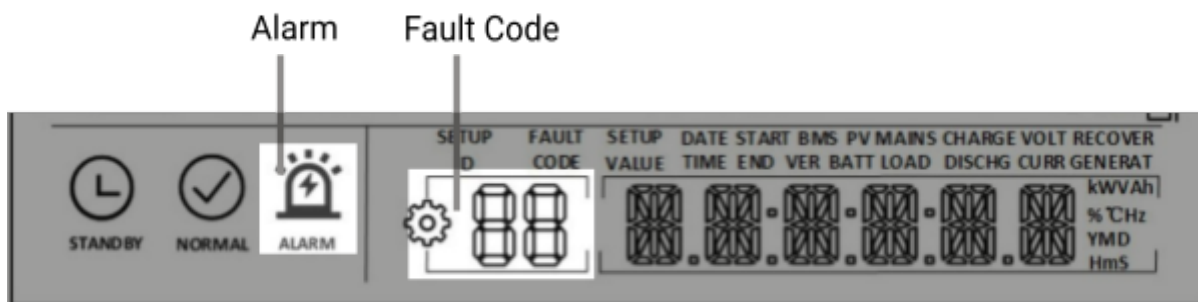


| Function | Description |
|---------------------------------|--|
| RSD power supply | PIN 1 is GND, PIN 2 is RSD 12V+ |
| Remote ON/OFF | When pin 1 is connected to pin 3, the inverter will turn off the AC output. When disconnected, the inverter is in normal output. |
| Temperature sampling (reserved) | Pins 1 and 4 can be used for battery temperature sampling compensation. |
| Remote generator start/stop | When the battery voltage reaches the under-voltage alarm voltage (parameter 14) or the voltage threshold for Grid to switch to the battery (parameter 04), pins 6 to 5 are normally open, and pins 7 to 5 are normally closed. When the battery voltage reaches the voltage threshold for the battery to switch to Grid (parameter 05), or the battery is fully charged, pins 6 to 5 are normally closed, and pins 7 to 5 are normally open. (5/6/7 pin output: 125 VAC/1 A, 230 VAC/1 A, and 30 VDC/1 A) |

If you need to use the remote start/stop function of the generator with dry contact, please ensure that the generator has an ATS and supports remote start/stop.

8. Fault Codes and Response Measures

8.1 Fault codes



| Fault Code | Meaning | Affect Output or Not | Description |
|------------|---------|----------------------|-------------|
|------------|---------|----------------------|-------------|

| | | | |
|----|--------------------|-----|--|
| 01 | BatVoltLow | Yes | Battery under-voltage alarm |
| 02 | BatOverCurrSw | Yes | Overcurrent software protection for average battery discharge current |
| 03 | BatOpen | Yes | Disconnected battery alarm |
| 04 | BatLowEod | Yes | Under-voltage battery discharge stop alarm |
| 05 | BatOverCurrHw | Yes | Battery overcurrent hardware protection |
| 06 | BatOverVolt | Yes | Charge overvoltage protection |
| 07 | BusOverVoltHw | Yes | Bus overvoltage hardware protection |
| 08 | BusOverVoltSw | Yes | Bus overvoltage software protection |
| 09 | PvVoltHigh | Yes | PV overvoltage protection |
| 10 | PvBoostOCSw | No | Boost overcurrent software protection |
| 11 | PvBoostOCHw | No | Boost overcurrent hardware protection |
| 12 | SpiCommErr | Yes | SPI communication fault of master and slave chips |
| 13 | OverloadBypass | Yes | Bypass overload protection |
| 14 | OverloadInverter | Yes | Inverter overload protection |
| 15 | AcOverCurrHw | Yes | Inverter overcurrent hardware protection |
| 16 | AuxDspReqOffPWM | Yes | Slave chip OFF request fault |
| 17 | InvShort | Yes | Inverter short-circuit protection |
| 18 | Bussoftfailed | Yes | Bus soft-start failure |
| 19 | OverTemperMppt | No | PV heat sink over-temperature protection |
| 20 | OverTemperInv | Yes | Inverter heat sink over-temperature protection |
| 21 | FanFail | Yes | Fan fault |
| 23 | ModelNumErr | Yes | Model setting error |
| 24 | Busdiff | Yes | Positive and negative bus voltage imbalance |
| 25 | BusShort | Yes | Bus short-circuit |
| 26 | Rlyshort | Yes | Inverter AC output backward to bypass AC output |
| 28 | LinePhaseErr | Yes | Grid input phase error |
| 29 | BusVoltLow | Yes | Bus low-voltage protection |
| 30 | BatCapacityLow1 | Yes | Alarm of battery capacity rate below 10% (taking effect after BMS communication is successful) |
| 31 | BatCapacityLow2 | No | Alarm of battery capacity rate below 5% (taking effect after BMS communication is successful) |
| 32 | BatCapacityLowStop | Yes | Battery low-capacity OFF (taking effect after BMS communication is successful) |
| 34 | CanCommFault | Yes | Parallel can communication fault |
| 35 | ParaAddrErr | Yes | Parallel ID (communication address) setting error |
| 37 | ParaShareCurrErr | Yes | Parallel current sharing fault |

| | | | |
|----|-------------------------------|-----|---|
| 38 | ParaBattVoltDiff | Yes | Large battery voltage difference in parallel mode |
| 39 | ParaAcSrcDiff | Yes | Inconsistent Grid input source in parallel mode |
| 40 | ParaHwSynErr | Yes | Hardware synchronization signal error in parallel mode |
| 41 | InvDcVoltErr | Yes | Inverter DC voltage error |
| 42 | SysFwVersionDiff | Yes | Inconsistent system firmware version in parallel mode |
| 43 | ParaLineContErr | Yes | Parallel connection fault |
| 44 | Serialnumbererror | Yes | Failure to set the serial number before leaving factory |
| 45 | Errorsettingofsplit-phasemode | Yes | Setting error of setting items in parallel mode |
| 56 | Lowinsulation resistancefault | No | Abnormally low earth impedance of PV1+, PV2+, and PV- |
| 57 | Leakagecurrent overloadfault | Yes | System current leakage out of the standard |
| 58 | BMSComErr | No | BMS communication fault |
| 60 | BMSUnderTem | No | BMS under-temperature alarm (taking effect after BMS communication is successful) |
| 61 | BMSOverTem | No | BMS over-temperature alarm (taking effect after BMS communication is successful) |
| 62 | BMSOverCur | No | BMS overcurrent alarm (taking effect after BMS communication is successful) |
| 63 | BMSUnderVolt | No | BMS under-voltage alarm (taking effect after BMS communication is successful) |
| 64 | BMSOverVolt | No | BMS overvoltage alarm (taking effect after BMS communication is successful) |

8.2 Troubleshooting

| Fault Code | Meaning | Cause | Solution |
|------------|---|--|--|
| / | No screen display | There is no power input, or the device switch at its bottom is not turned on | Check if the battery air-switch or PV air-switch has been closed; check if the switch is in "ON"; press any button on the screen to exit the screen sleep mode. |
| 01 | Battery under-voltage | The battery voltage is lower than the value set in parameter [14] | Charge the battery until the battery voltage exceeds the value set in parameter [14]. |
| 03 | Disconnected battery | The battery is not connected, or the BMS of the lithium-ion battery is in the discharge protection state | Check if the battery is reliably connected; check if the circuit breaker of the battery is off; ensure that the BMS of the lithium-ion battery can communicate normally. |
| 04 | Battery over-discharge | The battery voltage is lower than the value set in parameter 12 | Manual reset: Turn off the power, and restart Automatic reset: Charge the battery until the battery voltage is higher than the value set in parameter [35] |
| 06 | Rechargeable battery overvoltage protection | The battery is in the overvoltage state | Manually turn off the power, and restart Check if the battery voltage exceeds the limit. If the limit is exceeded, discharge the battery until the voltage is below the overvoltage recovery threshold of the battery |
| 13 | Bypass overload (software detection) | The output power or current of the bypass is overloaded within a certain period | Reduce the load power, and restart the device. For more details, please refer to item 11 in <i>Protection Function</i> |
| 14 | Inverter overload (software detection) | The output power or current of the inverter is overloaded within a certain period | |
| 19 | Over-high temperature of the heat sink for PV input (software detection) | The temperature of the heat sink for PV input exceeds 90°C for 3s | Wait until the temperature of the heat sink is below the over-temperature recovery temperature, when charge and discharge return to normal |
| 20 | Over-high temperature of the heat sink for inverter output (software detection) | The temperature of the heat sink for inverter output exceeds 90°C for 3s | |
| 21 | Fan fault | Software detection finds the fan has a fault | Shut down, manually flick the fan, and check if any foreign objects are blocking it |
| 26 | AC input relay short-circuit | Stuck relay for AC output | Manually shut down, and restart. If the fault occurs again after restarting, contact the after-sales service personnel to repair the machine |
| 28 | Grid input phase | The phase of AC input is | Ensure that the phase of AC input is the |

| | | | |
|--|-------|-------------------------------------|--|
| | fault | inconsistent with that of AC output | same as that of AC output. For example, if the output is in the split-phase mode, the input shall also be in the split-phase mode. |
|--|-------|-------------------------------------|--|

If you encounter product faults that cannot be solved by the methods listed in the above table, please contact our after-sales service department for technical support, and do not disassemble the device by yourself.

9. Protection and Maintenance

9.1 Protection function

| No | Protection Function | Description |
|----|---------------------------------------|--|
| 1 | PV current-limiting protection | When the charge current or power of the configured PV array exceeds the rated current and power of the inverter, it will charge at the rated current and power |
| 2 | PV overvoltage protection | If the PV voltage exceeds the maximum allowable value of hardware, the machine will report the fault, and stop the step-up of PV to output sine AC waves |
| 3 | Reverse charge protection at night | At night, as the battery voltage is greater than that of the PV module, it will prevent the battery from discharging to the PV module |
| 4 | Grid input overvoltage protection | When the Grid voltage of each phase exceeds 140 VAC, it will stop Grid from charging, and switch it to inverter output |
| 5 | Grid input under-voltage protection | When the Grid voltage of each phase is lower than 90 VAC, it will stop Grid from charge, and switch it to inverter output |
| 6 | Battery overvoltage protection | When the battery voltage reaches the overvoltage disconnect voltage threshold, it will automatically stop PV and Grid from charging the battery, thus preventing damage to the battery due to overcharge |
| 7 | Battery under-voltage protection | When the battery voltage reaches the low-voltage disconnect voltage threshold, it will automatically stop discharging the battery, thus preventing damage to the battery due to overdischarge |
| 8 | Battery overcurrent protection | When the battery current exceeds the allowable range of hardware, the machine will turn off the output, and stop discharging the battery |
| 9 | AC output short-circuit protection | When a short-circuit fault occurs at the load output terminal, it will immediately turn off the output of AC voltage. Only after manually powering on the device, normal output restores |
| 10 | Heat sink over-temperature protection | When the internal temperature of the inverter is too high, the inverter will stop charging and discharging; when the temperature returns to normal, the inverter will charge and discharge again |
| 11 | Overload protection | After overload protection is triggered, the inverter output will be restored after 3 min, and after 5 times of overload, the output will be off until the frequency changer is restarted. (102%< load <110%): An error will be reported, and the output will be turned off after 5 min. |

| | | |
|----|--------------------------------|--|
| | | (110%< load <125%): An error will be reported, and the output will be turned off after 10s. Load >125%: An error will be reported, and the output will be turned off after 5s. |
| 12 | AC backward protection | Prevent the Grid of battery inverter backward to bypass AC input |
| 13 | Bypass overcurrent protection | Built-in circuit breaker for AC input overcurrent protection |
| 14 | Bypass wiring error protection | When the phase of the two bypass inputs is different from that of the inverter split-phase, the machine will prohibit connecting to the bypass, thus preventing the power failure or short circuit of load when connecting to the bypass |

9.2 Maintenance

In order to maintain the best long-term performance, it is recommended to conduct following checks twice a year.

1. Make sure that the airflow around the inverter is smooth, and remove any dirt or debris from the heat sink.
2. Check whether the insulation of all exposed wires is damaged by exposure to sunlight, friction with other objects around them, dryness, bite by insects or rodents, etc. Repair or replace wires if necessary.
3. Verify the consistency of the indication and display with the device operation. Please pay attention to any faults or errors, and take corrective actions if necessary.
4. Check all wiring terminals for corrosion, insulation damage, and signs of high temperature or burning/discoloration, and tighten the terminal screws.
5. Check for dirt, nesting insects, and corrosion, clean up as required, and clean the insectproof net regularly.
6. If the arrester fails, replace it in time against lightning damage to the inverter or even other devices of the user.

- Before conducting any inspection or operation, please ensure that the inverter is disconnected from all power sources and that the capacitor is fully discharged to avoid the risk of electric shock.

Our company will not be held responsible for damage due to the following reasons:

1. Damage caused by improper use or use in the wrong location.
2. The open circuit voltage of the PV module exceeds the maximum allowable voltage.
3. The operating temperature exceeds the limited operating temperature range.
4. Unauthorized personnel dismantle, and repair the inverter.
5. Force majeure: damage during transportation or handling of the inverter

NOTES:



**SCAN FOR THE LATEST VERSION OF
THE USER MANUAL**